

NAVARRO COUNTY COMMISSIONER'S COURT

A Regular meeting of the Navarro County Commissioner's Court was held on Monday, the 14th day of September, 2015 at 10:00 a.m., in the Courtroom of the Navarro County Annex Building, 601 North 13th in Corsicana, Texas. Presiding Judge HM Davenport, Jr. Commissioners present Jason Grant, Dick Martin, David Warren and James Olsen.

1. 10:00A.M. Motion to convene by Comm. Olsen sec by Comm. Warren
Carried unanimously
2. Opening prayer by Comm. Olsen
3. Pledge of Allegiance
4. Public Comments-Bobby Wilson-Tx Parks & Wildlife new rules
Jim Fortson-County Levee District item#22

PG 1499

Consent Items

Motion to approve consent items 5- 10 by Comm. Martin sec by Comm. Olsen
Carried unanimously

5. Motion to approve and pay bills as submitted by the County Auditor, including utilities (paid 8/31/15) **TO WIT PG 1500-1530**
6. Motion to approve budget transfer BJE #161 **TO WIT PG 1531**
7. Motion to approve budget transfer BJE #162 **TO WIT PG 1532-1533**
8. Motion to approve budget transfer BJE #163 **TO WIT PG 1534-1535**
9. Motion to approve budget transfer BJE #164 **TO WIT PG 1536**
10. Motion to approve budget transfer BJE #165 **TO WIT PG 1537**

Action Items

11. Second Public Hearing on Tax Increase-Judge Opened Hearing
Judge Closed Hearing
12. Motion to table budget transfer BJE #166 by Comm. Martin sec by Comm. Olsen
Carried unanimously

13. Motion to table budget transfer BJE #167 by Comm. Martin sec by Comm. Olsen
Carried unanimously
14. Motion table budget transfer BJE #168 by Comm. Martin sec by Comm. Olsen
Carried unanimously
15. Motion to approve Office Boy proposal for services for HIDTA Grant
by Comm. Olsen sec by Comm. Grant **TO WIT PG 1538**
Carried unanimously
16. No action taken on Burn Ban-remains in effect
17. Motion to approve Tax Collection Report for August 2015, Gail Smith by Comm.
Grant sec by Comm. Martin **TO WIT PG 1539-1544**
Carried unanimously
18. Motion to approve District Clerk's 2016 Archival Plan, Josh Tackett, by Comm.
Olsen sec by Comm. Grant **TO WIT PG 1545-1552**
Carried unanimously
19. Motion to approve Contract with Lenovo Financial Services for 9 Lap tops, (1) in
the County Clerk's office and eight (8) in the District Clerks Office by Comm.
Martin sec by Comm. by Warren **TO WIT PG 1553-1567**
Carried unanimously
20. Motion to table to approve proposal from Watkins Development Corporation for
Sheriff's Office concrete slab by Comm. Olsen sec by Comm. Warren
Carried unanimously
21. Motion to accept letter from the Texas Jail Standards Commission regarding
Navarro County as being "grandfathered" in for the video communication system
by Comm. Grant sec by Comm. Martin **TO WIT PG 1568**
Carried unanimously
22. Motion to approve appointing 3 members for the Board of Directors Navarro
County Levee Improvement District #10, Jim Fortson, Vernon Eck, and John
Bradley by Comm. Grant sec by Comm. Martin **TO WIT PG 1569-1572**
Carried unanimously
23. No action taken to approve 2015-2016 Interlocal Agreement with City of
Corsicana for Economic Development Services, Library Services, Animal Shelter
Services and Housing of City Prisoners

24. Motion to approve appointment of Board Member for Corsicana Airport Board Steve Richman by Comm. Martin sec by Comm. Olsen
Carried unanimously
25. Motion to approve appointing Carroll Sigman to Community Service Inc. Board of Directors as County Representative by Judge Davenport sec by Comm. Grant
Carried unanimously
26. Motion approving Resolution of the County of Navarro, Texas Authorizing the County Judge to Request Inclusion in Ellis County Free Trade Zone No.113 by Comm. Martin sec by Comm. Grant **TO WIT PG 1573-1576**
Carried unanimously
27. Motion to table Lease Purchase Agreement with First National Bank for the lease of a 2015 Peterbilt 567 Dump Truck for Pct. 3 by Comm. Warren sec by Comm. Olsen
Carried unanimously
28. Motion to approve Lease Purchase Agreement with First National Bank for the lease of a 2015 Holt Caterpillar 926M Wheel Loader for Pct. 3 by Comm. Warren sec by Comm. Martin **TO WIT PG 1577-1584**
Carried unanimously
29. Motion to approve County Auditor's August 2015 monthly financial report pursuant to LGC Sec 114.024 by Comm. Olsen sec by Comm. Martin **TO WIT PG 1585-1587**
Carried unanimously
30. Motion to go into Executive Session Pursuant to the Texas Government Code 551.074 to discuss Personnel by Comm. Olsen sec by Comm. Warren
Carried unanimously
- 12:13 Motion to come out of Executive Session by Comm. Olsen sec by Comm. Warren
Carried unanimously
31. No action taken in Executive Session Pursuant to the Texas Government Code Section 551.074 to discuss Personnel
32. Motion to go into Executive Session Pursuant to the Texas Government Code Section 551.071(2) to confer regarding matters which are privileged Pursuant to the Attorney Client Privilege by Judge Davenport sec by Comm. Martin
Carried unanimously
33. Motion to come out of Executive Session by Comm. Warren sec by Comm. Olsen

Carried unanimously

33. Motion on action taken in Executive Session Pursuant to the Texas Government Code Section 551.074(2) to confer regarding matters which are privileged Pursuant to the Attorney Client Privilege to appoint Terry Jacobson to represent County in upcoming issues as litigator by Comm. Martin sec by Comm. Warren
Carried unanimously

Motion to approve the hiring of a surveyor to locate pins near Streetman by Comm. Warren sec by Comm. Martin
Carried unanimously

34. Recess until 10:00 A.M. Tues. September 15, 2015
10:02 A.M. Motion to come out of recess by Comm. Olsen sec by Comm. Warren
Carried unanimously

35. Budget workshop-To give the Health Department \$48,000.00

TO WIT PG 1588-1589

36. Motion to adjourn by Comm. Martin sec by Comm. Grant
Carried unanimously

I, SHERRY DOWD, NAVARRO COUNTY CLERK, ATTEST THAT THE FOREGOING IS A TRUE AND ACCURATE ACCOUNTING OF THE COMMISSIONERS COURT'S AUTHORIZED PROCEEDING FOR SEPTEMBER 14th, 2015.

SIGNED 14th DAY OF SEPTEMBER 2015.


SHERRY DOWD, COUNTY CLERK



[Handwritten mark]

NAVARRO COUNTY COMMISSIONERS COURT
PUBLIC COMMENTS PARTICIPATION FORM

PRINT NAME AND SUBJECT

Date 9-14-15

NAME	SUBJECT
1. <u>Bobby Wilson</u>	<u>Tex. Parks & Wildlife Rules</u>
2. <u>Jim FORTSON</u>	<u>LEVEE DIST. 10</u>
3. <u>Clayton Dawson</u>	<u>Levee Dist 10</u>
4. _____	_____
5. _____	_____
6. _____	_____
7. _____	_____
8. _____	_____
9. _____	_____
10. _____	_____
11. _____	_____
12. _____	_____

1500

287 R/C FIRE AND RESCUE	101-406-465	FIRE PROTECTION	9/1/2015	R/C 287 VFD	\$700.00	\$0.00
A-1 FIRE & SAFETY EQUIPMENT	101-512-445	REPAIRS & MAINTENANCE	8/11/2015	37748	\$845.40	\$0.00
ACS	101-403-410	PROFESSIONAL SERVICES	8/20/2015	1185978	\$2,807.00	\$0.00
ACS	101-403-420	RECORDS MGT EXPENDITURES	8/20/2015	1185978	\$4,325.00	\$0.00
ADVOCACY CENTER FOR CRIME VICT	101-560-410	INVESTIGATIONS	8/3/2015	C15-10309	\$799.00	\$0.00
ADVOCACY CENTER FOR CRIME VICT	101-560-410	INVESTIGATIONS	7/22/2015	C15-09269	\$855.00	\$0.00
ALON PAUL	101-415-445	REPAIRS & MAINTENANCE	8/26/2015	NCHC-1	\$416.98	\$0.00
ALON PAUL	101-415-445	REPAIRS & MAINTENANCE	9/3/2015	NCHC-2	\$800.00	\$0.00
AMERICAN ASSOC OF NOTAR	101-499-310	OFFICE SUPPLIES	8/31/2015	FRANCIA, ROGER	\$85.97	\$0.00
AMERICAN FORENSICS LLC	101-406-487	AUTOPSY	8/31/2015	1683	\$1,700.00	\$0.00
AMERICAN FORENSICS LLC	101-406-487	AUTOPSY	8/26/2015	1679	\$1,700.00	\$0.00
AMERICAN TIRE DISTRIBUTORS	101-560-445	REPAIRS & MAINT - VEHICLE	8/28/2015	5064408058	\$478.92	\$0.00
AMERICAN TIRE DISTRIBUTORS	101-560-445	REPAIRS & MAINT - VEHICLE	8/26/2015	5064304219	\$517.12	\$0.00
AMERICAN TIRE DISTRIBUTORS	101-560-445	REPAIRS & MAINT - VEHICLE	8/20/2015	5064054183	\$421.52	\$0.00
ANGUS VOLUNTEER FIRE DEPARTME	101-406-465	FIRE PROTECTION	9/1/2015	ANGUS	\$525.00	\$0.00
ANGUS VOLUNTEER FIRE DEPARTME	101-572-428	TRAVEL/CONFERENCE/TRAINING	8/31/2015	AUG 2015	\$40.25	\$0.00
ANNA MIDDLETON	101-572-428	TRAVEL/CONFERENCE/TRAINING	8/26/2015	36172	\$600.00	\$0.00
ANTHONY ELAND	101-430-411	COURT APPOINTED ATTORNEY	9/4/2015	INV-0029617	\$2,060.18	\$0.00
ARC - AUSTIN RIBBON & COMPUTER SUPPLIES, INC	101-512-457	MAINT CONTRACT - COMPUTER	8/12/2015	INV-0028758	\$12,127.86	\$0.00
ARC - AUSTIN RIBBON & COMPUTER SUPPLIES, INC	101-512-457	MAINT CONTRACT - COMPUTER	8/27/2015	287236363034X082715	\$251.50	\$0.00
AT&T SERVICES INC.	101-406-422	JP TECHNOLOGY FUND	8/27/2015	287236363034X082715	\$44.39	\$0.00
AT&T SERVICES INC.	101-407-459	MAINT CONTRACT - COMPUTER	8/27/2015	287236363034X082715	\$437.69	\$0.00
AT&T SERVICES INC.	101-410-435	TELEPHONE	8/21/2015	9038753391 - AUG	\$443.98	\$0.00
AT&T SERVICES INC.	101-410-435	TELEPHONE	8/27/2015	287236363034X082715	\$2,919.98	\$0.00
AT&T SERVICES INC.	101-410-435	TELEPHONE	8/22/2015	125499768 - AUG	\$63.04	\$0.00
AT&T SERVICES INC.	101-435-495	TELEPHONE - UVERSE BACKUP LAND LINE	8/27/2015	135690903 - AUG	\$46.73	\$0.00
AT&T SERVICES INC.	101-475-435	MISCELLANEOUS	8/23/2015	287236363034X082715	\$44.39	\$0.00
AT&T SERVICES INC.	101-551-312	OPERATING SUPPLIES	8/27/2015	9038740832 - AUG	\$193.26	\$0.00
AT&T SERVICES INC.	101-560-435	TELEPHONE - CRIMESTOPPERS	8/22/2015	287236363034X082715	\$46.73	\$0.00
AT&T SERVICES INC.	101-568-495	MISCELLANEOUS	8/27/2015	125499763 - AUG	\$44.40	\$0.00
AT&T SERVICES INC.	101-410-430	UTILITIES	8/26/2015	287236363034X082715	\$88.80	\$0.00
AT&T SERVICES INC.	101-410-430	UTILITIES	9/8/2015	40099312323 - AUG	\$57.01	\$0.00
AT&T SERVICES INC.	101-410-430	UTILITIES	9/8/2015	4009459327 - SEP	\$57.01	\$0.00
AT&T SERVICES INC.	101-410-430	UTILITIES	9/8/2015	30333118034 - SEP	\$47.31	\$0.00
AT&T SERVICES INC.	101-410-430	UTILITIES	9/8/2015	4010155456 - SEP	\$47.92	\$0.00
AT&T SERVICES INC.	101-512-435	UTILITIES	9/8/2015	3043865324 - SEP	\$978.35	\$0.00
AT&T SERVICES INC.	101-512-445	REPAIRS & MAINTENANCE	8/17/2015	606271	\$600.00	\$0.00
B & G AUTO PARTS	101-560-445	REPAIRS & MAINT - VEHICLE	8/4/2015	606074	\$45.70	\$0.00
B & G AUTO PARTS	101-560-445	REPAIRS & MAINT - VEHICLE	8/4/2015	606075	\$11.80	\$0.00
B & G AUTO PARTS	101-560-445	REPAIRS & MAINT - VEHICLE	8/12/2015	606188	\$7.50	\$0.00
B & G AUTO PARTS	101-560-445	REPAIRS & MAINT - VEHICLE	8/17/2015	606266	\$10.00	\$0.00
B & G AUTO PARTS	101-560-445	REPAIRS & MAINT - VEHICLE	8/19/2015	606295	\$30.00	\$0.00
B & G AUTO PARTS	101-568-445	REPAIRS & MAINT - MCC	8/19/2015	606264	\$234.00	\$0.00
BARRY FIRE DEPT	101-406-465	FIRE PROTECTION	9/1/2015	BARRYVFD	\$700.00	\$0.00
BIG H TIRE SERVICE	101-560-445	REPAIRS & MAINT - VEHICLE	8/10/2015	158415	\$6.00	\$0.00
BIG H TIRE SERVICE	101-560-445	REPAIRS & MAINT - VEHICLE	8/10/2015	158433	\$6.00	\$0.00
BILL PRICE	101-425-411	COURT APPOINTED ATTORNEY	9/9/2015	70992	\$200.00	\$0.00
BILL PRICE	101-425-411	COURT APPOINTED ATTORNEY	9/9/2015	71137	\$250.00	\$0.00
BILL PRICE	101-425-411	COURT APPOINTED ATTORNEY	9/9/2015	71174	\$150.00	\$0.00
BILL PRICE	101-430-411	COURT APPOINTED ATTORNEY	8/26/2015	23556	\$737.50	\$0.00
BILL PRICE	101-435-411	COURT APPOINTED ATTORNEY	8/12/2015	2175	\$300.00	\$0.00
BILL PRICE	101-435-411	COURT APPOINTED ATTORNEY	9/3/2015	32805	\$450.00	\$0.00
BILL PRICE	101-435-411	COURT APPOINTED ATTORNEY	8/28/2015	35098	\$200.00	\$0.00

Vendor Name	Account Number	Account Description	Document Date	Document Number	Debit Amount	Credit Amount
BILL PRICE	101-435-411	COURT APPOINTED ATTORNEY	8/27/2015	35519 (2)	\$1,650.00	\$0.00
BLACKFORD PRINTING CO	101-435-310	OFFICE SUPPLIES	7/30/2015	33467	\$434.00	\$0.00
BLOOMING GROVE FIRE DEPT	101-459-310	OFFICE SUPPLIES	8/12/2015	33500	\$112.00	\$0.00
BOB BARKER COMPANY INC	101-406-465	FIRE PROTECTION	9/1/2015	BLOOMINGVFD	\$700.00	\$0.00
BOB BARKER COMPANY INC	101-512-350	INMATE SUPPLIES	8/20/2015	UT1000358051	\$69.12	\$0.00
BOB BARKER COMPANY INC	101-512-350	INMATE SUPPLIES	7/30/2015	UT1000355812	\$324.50	\$0.00
BOB BARKER COMPANY INC	101-512-350	INMATE SUPPLIES	7/30/2015	UT1000355842	\$138.24	\$0.00
BOB BARKER COMPANY INC	101-512-350	INMATE SUPPLIES	8/31/2015	UT1000359187	\$753.78	\$0.00
BODKIN, NIEHAUS AND DICKSON	101-430-411	COURT APPOINTED ATTORNEY	9/2/2015	UT1000359432	\$31.54	\$0.00
BODKIN, NIEHAUS AND DICKSON	101-430-411	COURT APPOINTED ATTORNEY	9/2/2015	35545	\$600.00	\$0.00
BODKIN, NIEHAUS AND DICKSON	101-430-411	COURT APPOINTED ATTORNEY	9/2/2015	35546	\$400.00	\$0.00
CALDWELL COUNTRY CHEVROLET	101-560-445	MACHINERY & EQUIPMENT	8/25/2015	35547	\$357.50	\$0.00
CAP Fleet General Bruce Drive	101-560-445	REPAIRS & MAINT - VEHICLE	8/31/2015	FG463630	\$26,702.00	\$0.00
CARL WHITE CHEVROLET	101-560-445	REPAIRS & MAINT - VEHICLE	8/31/2015	513614	\$2,268.00	\$0.00
CHATFIELD VOLUNTEER FIRE DEPT	101-406-465	FIRE PROTECTION	9/3/2015	76405	\$69.15	\$0.00
CHATFIELD WATER SUPPLY	101-402-430	UTILITIES - PARKS	9/1/2015	CHATFIELD	\$875.00	\$0.00
CHILDREN'S ADVOCACY CENTER	101-512-385	COUNTY FARM	8/26/2015	1267 - AUG	\$79.00	\$0.00
CHRIS GARRETT	101-475-428	TRAVEL/CONFERENCE/TRAINING	8/26/2015	7 - AUG	\$51.00	\$0.00
CHRISTAL JANSEN	101-572-428	TRAVEL/CONFERENCE/TRAINING	8/31/2015	2012-222	\$1,115.90	\$0.00
CLEAR SIGNAL RADIO	101-572-428	TRAVEL/CONFERENCE/TRAINING	8/31/2015	AUG 2015	\$232.88	\$0.00
COKER'S LAWN SERVICE	101-512-445	REPAIRS & MAINTENANCE	8/31/2015	AUG 2015	\$268.53	\$0.00
CONRAD, WILLIAM E. LAW OFFICE	101-402-423	SANITARY SERVICES - PARKS	8/28/2015	1645	\$777.00	\$0.00
CONRAD, WILLIAM E. LAW OFFICE	101-430-411	COURT APPOINTED ATTORNEY	8/28/2015	08/28/15	\$2,122.00	\$0.00
CONRAD, WILLIAM E. LAW OFFICE	101-430-411	COURT APPOINTED ATTORNEY	8/14/2015	36207	\$400.00	\$0.00
CONRAD, WILLIAM E. LAW OFFICE	101-435-411	COURT APPOINTED ATTORNEY	8/14/2015	36002	\$400.00	\$0.00
CONRAD, WILLIAM E. LAW OFFICE	101-435-411	COURT APPOINTED ATTORNEY	8/28/2015	36326	\$400.00	\$0.00
CONRAD, WILLIAM E. LAW OFFICE	101-430-485	OTHER LITIGATION EXPENSES	9/3/2015	30560	\$200.00	\$0.00
CONSTELLATION NEWENERGY INC	101-410-430	UTILITIES	8/14/2015	36002	\$3.00	\$0.00
CONSTELLATION NEWENERGY INC	101-410-430	UTILITIES	8/20/2015	0026936933-0001	\$1,477.19	\$0.00
CONSTELLATION NEWENERGY INC	101-410-430	UTILITIES	8/25/2015	0027053094-0001	\$33.79	\$0.00
CONSTELLATION NEWENERGY INC	101-410-430	UTILITIES	8/25/2015	0027053046-0001	\$9.50	\$0.00
CONSTELLATION NEWENERGY INC	101-410-430	UTILITIES	8/25/2015	0027053021-0001	\$9.50	\$0.00
CONSTELLATION NEWENERGY INC	101-410-430	UTILITIES	8/25/2015	0027053012-0001	\$9.50	\$0.00
CONSTELLATION NEWENERGY INC	101-512-435	UTILITIES	8/25/2015	0027053064-0001	\$9.50	\$0.00
CONSTELLATION NEWENERGY INC	101-410-430	UTILITIES	8/26/2015	0027068549-0001	\$11,730.01	\$0.00
CONSTELLATION NEWENERGY INC	101-410-430	UTILITIES	8/25/2015	0027052334-0001	\$62.56	\$0.00
CONSTELLATION NEWENERGY INC	101-410-430	UTILITIES	7/28/2015	0026265014-0001	\$42.77	\$0.00
CONSTELLATION NEWENERGY INC	101-410-430	UTILITIES	8/27/2015	0027109451-0001	\$62.15	\$0.00
CONSTELLATION NEWENERGY INC	101-410-430	UTILITIES	8/25/2015	0027053006-0001	\$19.92	\$0.00
CONSTELLATION NEWENERGY INC	101-410-430	UTILITIES	8/25/2015	0027053067-0001	\$15.00	\$0.00
COOPER & FRENCH INSURANCE AGEN	101-512-435	UTILITIES	8/25/2015	0027053056-0001	\$35.18	\$0.00
COPY CENTER	101-560-417	BONDS	7/15/2015	1661	\$71.00	\$0.00
CORBET-OAK VALLEY VOL FIRE DEP	101-459-310	OFFICE SUPPLIES	9/1/2015	146905	\$20.00	\$0.00
CORLEY FUNERAL HOME	101-406-465	FIRE PROTECTION	9/1/2015	CORBET-OAK	\$700.00	\$0.00
CORLEY FUNERAL HOME	101-406-491	HEALTH & SERVICES	8/17/2015	CS15166	\$200.00	\$0.00
CORLEY FUNERAL HOME	101-406-491	HEALTH & SERVICES	9/7/2015	CS15174	\$200.00	\$0.00
CORLEY FUNERAL HOME	101-406-491	HEALTH & SERVICES	9/7/2015	CS15171	\$200.00	\$0.00
CORSICANA DAILY SUN INC	101-406-418	ADVERTISING & LEGAL NOTICES	8/31/2015	189	\$79.52	\$0.00
CORSICANA DAILY SUN INC	101-512-385	ADVERTISING & LEGAL NOTICES	8/31/2015	189	\$389.66	\$0.00
CUSTOM FARMING	101-430-411	COUNTY FARM	9/4/2015	242371	\$3,125.00	\$0.00
DAMARA WATKINS	101-430-411	COURT APPOINTED ATTORNEY	8/20/2015	34473	\$4,068.75	\$0.00
DAMARA WATKINS	101-435-411	COURT APPOINTED ATTORNEY	8/20/2015	33984	\$2,325.00	\$0.00
DAMARA WATKINS	101-425-490	MENTAL / AD UTTEM	9/2/2015	2015-30	\$100.00	\$0.00
DAMARA WATKINS	101-425-490	MENTAL / AD UTTEM	9/2/2015	2015-31	\$100.00	\$0.00

Vendor Name

1502

Vendor Name	Account Number	Account Description	Document Date	Document Number	Debit Amount	Credit Amount
DAMARA WATKINS	101-425-490	MENTAL / AD LITEM	9/2/2015	2015-32	\$100.00	\$0.00
DANIEL BILTZ	101-435-411	COURT APPOINTED ATTORNEY	8/13/2015	35881	\$740.00	\$0.00
DANIEL BILTZ	101-435-411	COURT APPOINTED ATTORNEY	8/21/2015	PRE-JUDICT	\$400.00	\$0.00
DANIEL BILTZ	101-435-411	COURT APPOINTED ATTORNEY	8/21/2015	35213	\$1,925.00	\$0.00
DAVID BUTCH WARREN	101-401-428	TRAVEL/CONFERENCE/TRAINING	8/31/2015	REIMBURSE - 08/31/15	\$57.02	\$0.00
DAVID BUTCH WARREN	101-401-428	TRAVEL/CONFERENCE/TRAINING	9/10/2015	10/05/15 - 10/08/15	\$583.05	\$0.00
DAVID BUTCH WARREN	101-401-428	TRAVEL/CONFERENCE/TRAINING	9/10/2015	10/05/15 - 10/08/15	\$161.00	\$0.00
DAVID BUTCH WARREN	101-401-428	TRAVEL/CONFERENCE/TRAINING	9/10/2015	10/05/15 - 10/08/15	\$219.65	\$0.00
DAWSON	101-406-465	FIRE PROTECTION	9/1/2015	DAWSON	\$700.00	\$0.00
DEAGEN TRAILERS & TRUCK ACCESS	101-512-575	MACHINERY & EQUIPMENT	9/10/2015	008061	\$15,500.00	\$0.00
DEALERS ELECTRICAL SUPPLY	101-410-445	REPAIRS & MAINTENANCE	8/5/2015	3398192-00	\$40.20	\$0.00
DELL MARKETING LP	101-512-457	MAINT CONTRACT - COMPUTER	9/1/2015	XRKTDW71	\$2,584.56	\$0.00
DISTRICT 8 TCMAA	101-411-429	CONFERENCE/TRAINING	9/1/2015	BISHOP, PAGE	\$110.00	\$0.00
EAST TEXAS POLICE ACADEMY KILG	101-560-428	TRAVEL/CONFERENCE/TRAINING	9/2/2015	BATES, MICHAEL	\$250.00	\$0.00
EDWARD A JENDRZEY	101-425-411	COURT APPOINTED ATTORNEY	9/4/2015	71826	\$100.00	\$0.00
EDWARD A JENDRZEY	101-430-411	COURT APPOINTED ATTORNEY	8/24/2015	34126	\$200.00	\$0.00
EMERGENCY SERVICE DISTRICT #1	101-406-465	FIRE PROTECTION	9/1/2015	ESD 1	\$525.00	\$0.00
EMHOUSE VOLUNTEER FIRE DEPT	101-406-465	FIRE PROTECTION	9/1/2015	EMHOUSE	\$525.00	\$0.00
EUREKA VOLUNTEER FIRE DEPARTM	101-406-465	FIRE PROTECTION	9/1/2015	EUREKA	\$525.00	\$0.00
FASTENAL - TXMAS	101-512-445	REPAIRS & MAINTENANCE	9/1/2015	TXCOS77825	\$30.79	\$0.00
FEDEX - TXMAS	101-406-311	POSTAGE	8/28/2015	5-147-99809	\$20.50	\$0.00
FIVE STAR SERVICES INC	101-512-380	GROCERIES	9/3/2015	23177	\$3,509.61	\$0.00
FIVE STAR SERVICES INC	101-512-380	GROCERIES	8/26/2015	23133	\$3,481.87	\$0.00
FIVE STAR SERVICES INC	101-512-380	GROCERIES	8/19/2015	23237	\$3,527.82	\$0.00
FOOD PROTECTION MGMT TRAINING	101-411-429	CONFERENCE/TRAINING	9/2/2015	STOVALL, LORIE	\$75.00	\$0.00
FROST VOLUNTEER FIRE DEPARTME	101-406-465	FIRE PROTECTION	9/1/2015	FROST	\$700.00	\$0.00
GABRIEL H ROBLES	101-435-411	COURT APPOINTED ATTORNEY	8/19/2015	36289	\$400.00	\$0.00
GABRIEL H ROBLES	101-435-411	COURT APPOINTED ATTORNEY	8/19/2015	36290	\$300.00	\$0.00
GABRIEL H ROBLES	101-435-411	COURT APPOINTED ATTORNEY	8/19/2015	36291	\$200.00	\$0.00
GABRIEL H ROBLES	101-435-411	COURT APPOINTED ATTORNEY	9/9/2015	35818	\$200.00	\$0.00
GABRIEL H ROBLES	101-435-411	COURT APPOINTED ATTORNEY	9/9/2015	32692	\$200.00	\$0.00
GABRIEL H ROBLES	101-435-411	COURT APPOINTED ATTORNEY	9/3/2015	33095	\$200.00	\$0.00
GALL'S INC	101-435-411	COURT APPOINTED ATTORNEY	9/8/2015	090815	\$14,174.95	\$0.00
GERANIUM GARDENS	101-410-454	MAINT CONTRACT - LAWN CARE	9/1/2015	4804	\$200.00	\$0.00
GERANIUM GARDENS	101-410-454	MAINT CONTRACT - LAWN CARE	9/1/2015	4805	\$300.00	\$0.00
GILFILLAN HARDWARE	101-410-445	REPAIRS & MAINTENANCE	8/11/2015	35559/1	\$26.21	\$0.00
GILFILLAN HARDWARE	101-410-445	REPAIRS & MAINTENANCE	8/12/2015	35623/1	\$60.95	\$0.00
GILFILLAN HARDWARE	101-410-445	REPAIRS & MAINTENANCE	8/18/2015	36176/1	\$69.99	\$0.00
GILFILLAN HARDWARE	101-512-445	REPAIRS & MAINTENANCE	8/19/2015	R27920520106	\$135.00	\$0.00
GLOBAL GOVERNMENT/EDUCATION SO	101-512-445	REPAIRS & MAINTENANCE	8/19/2015	R27920520106	\$6.36	\$0.00
GLOBAL GOVERNMENT/EDUCATION SO	101-512-445	REPAIRS & MAINTENANCE	8/19/2015	R27920520105	\$540.00	\$0.00
GLOBAL GOVERNMENT/EDUCATION SO	101-512-445	REPAIRS & MAINTENANCE	8/18/2015	R27920520103	\$279.98	\$0.00
GLOBAL GOVERNMENT/EDUCATION SO	101-512-445	REPAIRS & MAINTENANCE	8/14/2015	R27920520103	\$13.19	\$0.00
GLOBAL GOVERNMENT/EDUCATION SO	101-512-445	REPAIRS & MAINTENANCE	8/14/2015	R27920520103	\$25.45	\$0.00
GLOBAL GOVERNMENT/EDUCATION SO	101-568-446	REPAIRS & MAINT - EOC	9/3/2015	R2872019	\$487.98	\$0.00
GLOBAL GOVERNMENT/EDUCATION SO	101-568-446	REPAIRS & MAINT - EOC	9/3/2015	R2872019	\$31.00	\$0.00
GLOBAL GOVERNMENT/EDUCATION SO	101-512-457	MAINT CONTRACT - COMPUTER	9/2/2015	R28895910101	\$2,090.00	\$0.00
GLOBAL GOVERNMENT/EDUCATION SO	101-512-457	MAINT CONTRACT - COMPUTER	9/2/2015	R28843960101	\$279.99	\$0.00
GLOBAL GOVERNMENT/EDUCATION SO	101-512-457	MAINT CONTRACT - COMPUTER	9/1/2015	R28843960101	\$22.00	\$0.00
GLOBAL GOVERNMENT/EDUCATION SO	101-512-457	MAINT CONTRACT - COMPUTER	9/1/2015	R28843960101	\$399.98	\$0.00
GLOBAL GOVERNMENT/EDUCATION SO	101-512-457	MAINT CONTRACT - COMPUTER	8/28/2015	R28843870104	\$24.58	\$0.00
GLOBAL GOVERNMENT/EDUCATION SO	101-512-457	MAINT CONTRACT - COMPUTER	8/28/2015	R28843870104	\$594.40	\$0.00
GLOBAL GOVERNMENT/EDUCATION SO	101-512-457	MAINT CONTRACT - COMPUTER	8/29/2015	R28843870103	\$54.05	\$0.00
GLOBAL GOVERNMENT/EDUCATION SO	101-456-310	OFFICE SUPPLIES	8/24/2015	48414	\$54.05	\$0.00
GLOBAL GOVERNMENT/EDUCATION SO	101-457-310	OFFICE SUPPLIES	8/24/2015	48414	\$54.06	\$0.00

Vendor Name	Account Number	Account Description	Document Date	Document Number	Debit Amount	Credit Amount
GREENWORX PRINTING	101-458-310	OFFICE SUPPLIES	8/24/2015	48414	\$54.06	\$0.00
GREENWORX PRINTING	101-459-310	OFFICE SUPPLIES	8/24/2015	48414	\$54.06	\$0.00
GREENWORX PRINTING	101-512-312	FORMS & PRINTING	8/26/2015	48413	\$1,504.66	\$0.00
HM DAVENPORT	101-425-428	TRAVEL/CONFERENCE/TRAINING	9/3/2015	REIMBURSE - 09/03/15	\$779.43	\$0.00
HOLIDAY INN	101-560-428	TRAVEL/CONFERENCE/TRAINING	9/2/2015	BATES, MICHAEL	\$536.75	\$0.00
HOME DEPOT CREDIT SERVICES	101-512-445	REPAIRS & MAINTENANCE	6/10/2015	3700001	\$389.82	\$0.00
HOME DEPOT CREDIT SERVICES	101-560-445	REPAIRS & MAINT - VEHICLE	6/8/2015	5761577	\$45.13	\$0.00
HOWARD'S FIRE EXTINGUISHER SER	101-512-445	REPAIRS & MAINTENANCE	8/21/2015	058948	\$175.00	\$0.00
HUFFMAN COMMUNICATIONS SALES I	101-512-445	REPAIRS & MAINTENANCE	8/26/2015	34285	\$177.00	\$0.00
HUFFMAN COMMUNICATIONS SALES I	101-561-446	REPAIRS & MAINT - ELECTR / TOWER	9/1/2015	46017	\$105.00	\$0.00
ICS	101-512-350	INMATE SUPPLIES	8/31/2015	129367	\$558.40	\$0.00
ICS	101-512-352	INMATE CLOTHING	8/31/2015	129368	\$400.00	\$0.00
ICS	101-512-352	INMATE CLOTHING	9/2/2015	128514-01	\$51.60	\$0.00
ICS	101-512-352	INMATE CLOTHING	9/2/2015	128511-01	\$1,407.10	\$0.00
ICS	101-512-352	INMATE CLOTHING	9/2/2015	128511-01	\$172.50	\$0.00
ICS	101-512-352	INMATE CLOTHING	8/31/2015	129364	\$2,222.90	\$0.00
ICS	101-512-352	INMATE CLOTHING	8/31/2015	129363	\$481.90	\$0.00
ICS	101-512-352	INMATE CLOTHING	9/2/2015	129364-01	\$443.10	\$0.00
ICS	101-512-352	INMATE CLOTHING	9/2/2015	129366-01	\$1,416.50	\$0.00
ICS	101-512-352	INMATE CLOTHING	8/31/2015	129366	\$2,216.50	\$0.00
ICS	101-512-352	INMATE CLOTHING	8/31/2015	129365	\$340.00	\$0.00
ICS	101-512-352	INMATE CLOTHING	9/2/2015	129365-01	\$210.00	\$0.00
ICS	101-512-352	INMATE CLOTHING	9/2/2015	129363-01	\$2,928.30	\$0.00
ICS	101-512-352	JANITORIAL SUPPLIES	8/24/2015	130611	\$2,098.85	\$0.00
ICS	101-512-330	KITCHEN SUPPLIES	6/12/2015	129280	\$48.95	\$0.00
ICS	101-512-325	JANITORIAL SUPPLIES	8/3/2015	130221	\$2,447.79	\$0.00
ICS	101-512-350	INMATE SUPPLIES	8/3/2015	130222	\$410.00	\$0.00
INTERSTATE BATTERIES OF WACO	101-560-445	REPAIRS & MAINT - VEHICLE	7/29/2015	230112474	\$717.40	\$0.00
J & L TRAILER SALES	101-512-385	COUNTY FARM	8/19/2015	0005129	\$2,850.00	\$0.00
J & P HOLDINGS INC	101-512-385	COUNTY FARM	8/28/2015	19405	\$1,900.00	\$0.00
JACOBSON LAW FIRM PC	101-406-410	PROFESSIONAL SERVICES	8/31/2015	47023	\$2,182.12	\$0.00
JACOBSON LAW FIRM PC	101-406-410	PROFESSIONAL SERVICES	8/31/2015	47022	\$1,497.40	\$0.00
JAMES MANUFACTURING INC	101-512-445	REPAIRS & MAINTENANCE	8/14/2015	50237	\$30.00	\$0.00
JASON GRANT	101-401-428	TRAVEL/CONFERENCE/TRAINING	9/2/2015	REIMBURSE - 09/02/15	\$52.90	\$0.00
JASON GRANT	101-401-428	TRAVEL/CONFERENCE/TRAINING	9/10/2015	10/05/15 - 10/08/15	\$583.05	\$0.00
JASON GRANT	101-401-428	TRAVEL/CONFERENCE/TRAINING	9/10/2015	10/05/15 - 10/08/15	\$161.00	\$0.00
JASON GRANT	101-401-428	TRAVEL/CONFERENCE/TRAINING	9/10/2015	10/05/15 - 10/08/15	\$219.65	\$0.00
JENNIFER AULDS	101-430-412	TRANSCRIPTS	9/8/2015	375	\$85.00	\$0.00
JOHN LEHMAN PHD & ASSOCIATES	101-560-494	EMPLOYEE PHYSICAL	8/21/2015	11860	\$150.00	\$0.00
JOHN LEHMAN PHD & ASSOCIATES	101-560-494	EMPLOYEE PHYSICAL	3/25/2015	11509	\$100.00	\$0.00
JOHN LEHMAN PHD & ASSOCIATES	101-560-494	EMPLOYEE PHYSICAL	6/24/2015	11634	\$150.00	\$0.00
JOHN LEHMAN PHD & ASSOCIATES	101-560-494	EMPLOYEE PHYSICAL	8/31/2015	11889	\$150.00	\$0.00
JOHN LEHMAN PHD & ASSOCIATES	101-560-494	EMPLOYEE PHYSICAL	8/31/2015	11892	\$150.00	\$0.00
JONES MCCLURE PUBLISHING INC	101-430-419	DUES & PUBLICATIONS	8/20/2015	100422300	\$256.50	\$0.00
JONES MCCLURE PUBLISHING INC	101-430-419	DUES & PUBLICATIONS	8/20/2015	100422300	\$16.00	\$0.00
JONES MCCLURE PUBLISHING INC	101-435-419	DUES & PUBLICATIONS	8/22/2015	100421927	\$105.00	\$0.00
JOSH TACKETT	101-404-428	TRAVEL/CONFERENCE/TRAINING	9/2/2015	REIMBURSE - 09/02/15	\$107.16	\$0.00
K & S TIRE, TOWING & RECOVERY, INC	101-402-444	REPAIRS & MAINTENANCE - VEHICLE	7/2/2015	58635	\$7.00	\$0.00
K & S TIRE, TOWING & RECOVERY, INC	101-551-445	REPAIRS & MAINTENANCE	8/10/2015	58983	\$695.49	\$0.00
K & S TIRE, TOWING & RECOVERY, INC	101-551-445	REPAIRS & MAINTENANCE	8/10/2015	58981	\$639.07	\$0.00
K & S TIRE, TOWING & RECOVERY, INC	101-560-445	REPAIRS & MAINT - VEHICLE	8/19/2015	59103	\$220.00	\$0.00
K & S TIRE, TOWING & RECOVERY, INC	101-560-445	REPAIRS & MAINT - VEHICLE	8/19/2015	59104	\$252.96	\$0.00
K & S TIRE, TOWING & RECOVERY, INC	101-560-445	REPAIRS & MAINT - VEHICLE	8/11/2015	58994	\$60.44	\$0.00
K & S TIRE, TOWING & RECOVERY, INC	101-560-445	REPAIRS & MAINT - VEHICLE	8/7/2015	58963	\$39.95	\$0.00

1504

Vendor Name	Account Number	Account Description	Document Date	Document Number	Debit Amount	Credit Amount
K & S TIRE, TOWING & RECOVERY, INC	101-560-445	REPAIRS & MAINT - VEHICLE	8/14/2015	59055	\$71.94	\$0.00
K & S TIRE, TOWING & RECOVERY, INC	101-560-445	REPAIRS & MAINT - VEHICLE	8/5/2015	58927	\$7.00	\$0.00
K & S TIRE, TOWING & RECOVERY, INC	101-560-445	REPAIRS & MAINT - VEHICLE	8/24/2015	59143	\$7.00	\$0.00
K & S TIRE, TOWING & RECOVERY, INC	101-560-445	REPAIRS & MAINT - VEHICLE	8/21/2015	59127	\$59.94	\$0.00
K & S TIRE, TOWING & RECOVERY, INC	101-560-445	REPAIRS & MAINT - VEHICLE	8/18/2015	59078	\$76.95	\$0.00
K & S TIRE, TOWING & RECOVERY, INC	101-560-445	REPAIRS & MAINT - VEHICLE	8/17/2015	59064	\$137.00	\$0.00
K & S TIRE, TOWING & RECOVERY, INC	101-560-445	REPAIRS & MAINT - VEHICLE	8/3/2015	58891	\$56.95	\$0.00
K & S TIRE, TOWING & RECOVERY, INC	101-560-445	REPAIRS & MAINT - VEHICLE	8/3/2015	58895	\$56.95	\$0.00
K & S TIRE, TOWING & RECOVERY, INC	101-560-445	REPAIRS & MAINT - VEHICLE	8/4/2015	58921	\$56.95	\$0.00
K & S TIRE, TOWING & RECOVERY, INC	101-560-445	REPAIRS & MAINT - VEHICLE	8/5/2015	58935	\$60.44	\$0.00
K & S TIRE, TOWING & RECOVERY, INC	101-560-445	REPAIRS & MAINT - VEHICLE	8/6/2015	58945	\$76.95	\$0.00
KEATHLEY & KEATHLEY	101-425-411	COURT APPOINTED ATTORNEY	9/9/2015	71439	\$200.00	\$0.00
KEATHLEY & KEATHLEY	101-430-411	COURT APPOINTED ATTORNEY	8/13/2015	35172 (3)	\$1,200.02	\$0.00
KEATHLEY & KEATHLEY	101-435-411	COURT APPOINTED ATTORNEY	8/27/2015	36011	\$400.00	\$0.00
KEATHLEY & KEATHLEY	101-435-490	COURT APPOINTED ATTORNEY	8/27/2015	36009	\$300.00	\$0.00
KEATHLEY & KEATHLEY	101-435-480	MENTAL / AD LITEM	8/31/2015	20067	\$1,000.00	\$0.00
KEATHLEY & KEATHLEY	101-435-480	EXPERT WITNESSES	8/31/2015	35282 (3)	\$350.00	\$0.00
KEATHLEY & KEATHLEY	101-435-480	EXPERT WITNESSES	8/31/2015	35282 (3)	\$160.00	\$0.00
KEATHLEY & KEATHLEY	101-411-428	TRAVEL	8/31/2015	AUG 2015	\$131.68	\$0.00
KELLY R MYERS	101-425-490	MENTAL / AD LITEM	9/2/2015	2015-33	\$100.00	\$0.00
KELLY R MYERS	101-425-490	MENTAL / AD LITEM	9/2/2015	2015-34	\$100.00	\$0.00
KERENS FIRE DEPT	101-406-465	FIRE PROTECTION	9/1/2015	KERENS	\$875.00	\$0.00
KERRI K ANDERSON DONICA	101-430-411	COURT APPOINTED ATTORNEY	8/21/2015	2180	\$300.00	\$0.00
KERRI K ANDERSON DONICA	101-430-411	COURT APPOINTED ATTORNEY	8/21/2015	2184	\$300.00	\$0.00
KP GRAPHIC SOLUTIONS	101-404-310	OFFICE SUPPLIES	9/8/2015	1467	\$51.00	\$0.00
LESS LETHAL, LLC	101-512-320	OPERATING EQUIPMENT	8/24/2015	1467	\$10.63	\$0.00
LESS LETHAL, LLC	101-512-445	REPAIRS & MAINTENANCE	8/24/2015	1467	\$2,600.00	\$0.00
LEXIS NEXIS - IL	101-475-410	PROFESSIONAL SERVICES	8/27/2015	1467	\$140.00	\$0.00
LINEBARGER GOGGAN BLAIR & SAMP	101-202-004	AP - LINEBARGER	8/31/2015	3090296881	\$226.80	\$0.00
LINEBARGER GOGGAN BLAIR & SAMP	101-202-004	AP - LINEBARGER	9/3/2015	JP PCT 4 - JUL	\$1,486.31	\$0.00
LINEBARGER GOGGAN BLAIR & SAMP	101-202-004	AP - LINEBARGER	9/3/2015	JP PCT 1 - JUL	\$444.49	\$0.00
LINEBARGER GOGGAN BLAIR & SAMP	101-202-004	AP - LINEBARGER	9/3/2015	JP PCT 2 - JUL	\$1,818.21	\$0.00
LOCHRIDGE PRIEST INC - WACO	101-410-450	MAINT CONTRACT - MECHANICAL	9/3/2015	JP PCT 3 - JUL	\$11,807.09	\$0.00
MARION D. ALLEN	101-425-411	COURT APPOINTED ATTORNEY	9/1/2015	C026184	\$620.58	\$0.00
MCCOY'S BUILDING SUPPLY	101-415-445	REPAIRS & MAINTENANCE	8/28/2015	71783	\$200.00	\$0.00
MCCOY'S BUILDING SUPPLY	101-512-385	COUNTY FARM	8/28/2015	5901262	\$116.64	\$0.00
MCCOY'S BUILDING SUPPLY	101-512-385	COUNTY FARM	8/12/2015	5900980	\$74.37	\$0.00
MCCOY'S BUILDING SUPPLY	101-512-385	COUNTY FARM	9/4/2015	5901416	\$81.54	\$0.00
MCCOY'S BUILDING SUPPLY	101-512-385	COUNTY FARM	8/31/2015	5901283	\$12.76	\$0.00
MCCOY'S BUILDING SUPPLY	101-512-385	COUNTY FARM	8/4/2015	5900866	\$11.31	\$0.00
MCCOY'S BUILDING SUPPLY	101-512-385	COUNTY FARM	8/5/2015	5900885	\$9.73	\$0.00
MCCOY'S BUILDING SUPPLY	101-512-385	COUNTY FARM	8/5/2015	5900886	\$0.67	\$0.00
MCCOY'S BUILDING SUPPLY	101-512-385	COUNTY FARM	9/4/2015	5901428	\$669.70	\$0.00
MCCOY'S BUILDING SUPPLY	101-560-429	TRAINING - FIRING RANGE	8/13/2015	5901004	\$35.79	\$0.00
MCCOY'S BUILDING SUPPLY	101-560-429	TRAINING - FIRING RANGE	8/13/2015	5900977	\$29.28	\$0.00
MCCOY'S BUILDING SUPPLY	101-554-445	REPAIRS & MAINTENANCE	8/11/2015	004845	\$240.00	\$0.00
MCCOY'S BUILDING SUPPLY	101-512-445	REPAIRS & MAINTENANCE	9/3/2015	705131	\$15.40	\$0.00
MCM ELECTRONICS	101-561-446	REPAIRS & MAINTENANCE	8/14/2015	705131	\$1.22	\$0.00
MCM ELECTRONICS	101-561-446	REPAIRS & MAINTENANCE	8/14/2015	713483	\$7.49	\$0.00
MCM ELECTRONICS	101-561-446	REPAIRS & MAINT - ELECTR / TOWER	8/19/2015	713483	\$0.51	\$0.00
MELANIE HYDER	101-572-428	TRAVEL/CONFERENCE/TRAINING	8/31/2015	AUG 2015	\$45.43	\$0.00
MILDRED VOLUNTEER FIRE DEPT	101-406-465	FIRE PROTECTION	9/1/2015	MILDRED	\$525.00	\$0.00
MONROE SYSTEMS FOR BUSINESS	101-512-310	OFFICE SUPPLIES	7/6/2015	7DB56A	\$298.00	\$0.00
MONROE SYSTEMS FOR BUSINESS	101-512-310	OFFICE SUPPLIES	7/6/2015	7DB56A	\$20.30	\$0.00

1506

Vendor Name	Account Number	Account Description	Document Date	Document Number	Debit Amount	Credit Amount
OFFICE DEPOT INC-TXMAS	101-458-310	OFFICE SUPPLIES	8/19/2015	787807782001	\$23.79	\$0.00
OFFICE DEPOT INC-TXMAS	101-458-310	OFFICE SUPPLIES	8/19/2015	787807371001	\$356.18	\$0.00
OFFICE DEPOT INC-TXMAS	101-475-310	OFFICE SUPPLIES	8/19/2015	787828476001	\$91.26	\$0.00
OFFICE DEPOT INC-TXMAS	101-495-310	OFFICE SUPPLIES	9/1/2015	790559196001	\$242.62	\$0.00
OFFICE DEPOT INC-TXMAS	101-495-310	OFFICE SUPPLIES	8/29/2015	790559864001	\$359.96	\$0.00
OFFICE DEPOT INC-TXMAS	101-495-310	OFFICE SUPPLIES	8/31/2015	790559865001	\$4.79	\$0.00
OFFICE DEPOT INC-TXMAS	101-406-312	COPY & POSTAGE SUPPLIES	9/2/2015	791086637001	\$67.98	\$0.00
OFFICE DEPOT INC-TXMAS	101-406-422	JP TECHNOLOGY FUND	8/13/2015	786759901001	\$308.31	\$0.00
OFFICE DEPOT INC-TXMAS	101-411-310	OFFICE SUPPLIES	8/20/2015	788420813001	\$7.76	\$0.00
OFFICE DEPOT INC-TXMAS	101-411-310	OFFICE SUPPLIES	8/20/2015	788420393001	\$47.18	\$0.00
OFFICE DEPOT INC-TXMAS	101-425-310	OFFICE SUPPLIES	8/11/2015	786135466001	\$68.87	\$0.00
OFFICE DEPOT INC-TXMAS	101-430-310	OFFICE SUPPLIES	8/19/2015	783602253001	\$68.11	\$0.00
OFFICE DEPOT INC-TXMAS	101-403-310	OFFICE SUPPLIES	8/26/2015	789566813001	\$68.11	\$0.00
OFFICE DEPOT INC-TXMAS	101-406-312	COPY & POSTAGE SUPPLIES	8/12/2015	785990912001	\$62.62	\$0.00
OFFICE DEPOT INC-TXMAS	101-406-312	COPY & POSTAGE SUPPLIES	8/19/2015	785990912001	\$1,359.60	\$0.00
OFFICE DEPOT INC-TXMAS	101-406-312	COPY & POSTAGE SUPPLIES	8/20/2015	788118088001	\$101.97	\$0.00
OFFICE DEPOT INC-TXMAS	101-406-312	COPY & POSTAGE SUPPLIES	8/20/2015	788276743001	\$74.98	\$0.00
OFFICE DEPOT INC-TXMAS	101-406-312	COPY & POSTAGE SUPPLIES	8/17/2015	786993537001	\$135.96	\$0.00
OFFICE DEPOT INC-TXMAS	101-406-312	COPY & POSTAGE SUPPLIES	8/27/2015	789835522001	\$171.20	\$0.00
OFFICE DEPOT INC-TXMAS	101-401-310	OFFICE SUPPLIES	8/24/2015	788997522001	\$73.68	\$0.00
OFFICE DEPOT INC-TXMAS	101-403-310	OFFICE SUPPLIES	8/20/2015	788306191001	\$7.99	\$0.00
OFFICE DEPOT INC-TXMAS	101-403-310	OFFICE SUPPLIES	8/20/2015	788306190001	\$52.10	\$0.00
OFFICE DEPOT INC-TXMAS	101-403-310	OFFICE SUPPLIES	8/20/2015	788306189001	\$10.99	\$0.00
OFFICE DEPOT INC-TXMAS	101-403-310	OFFICE SUPPLIES	8/20/2015	788305599001	\$202.55	\$0.00
OLSEN FEED & SUPPLY	101-512-385	COUNTY FARM	8/26/2015	789678958001	\$56.99	\$0.00
ORKIN PEST CONTROL	101-512-456	MAINT CONTRACT - EXTERMINATOR	9/2/2015	355454	\$1,496.00	\$0.00
OTTIS ELEVATOR COMPANY	101-512-452	MAINT CONTRACT - ELEVATOR	8/31/2015	299598	\$128.75	\$0.00
OWEN HARDWARE INC	101-512-445	REPAIRS & MAINTENANCE	8/20/2015	TD07724915	\$579.35	\$0.00
OWEN HARDWARE INC	101-512-445	REPAIRS & MAINTENANCE	8/21/2015	AA40021	\$5.42	\$0.00
PARSONS COMMERCIAL ROOFING	101-512-445	REPAIRS & MAINTENANCE	8/27/2015	AA40246	\$8.07	\$0.00
PAUL E FULLBRIGHT ATTY	101-512-575	MACHINERY & EQUIPMENT	9/2/2015	9783	\$41,259.00	\$0.00
PAUL E FULLBRIGHT ATTY	101-435-490	MENTAL / AD UTTEM	8/20/2015	23640	\$50.00	\$0.00
PHILIP R TAFT PSY	101-435-490	MENTAL / AD UTTEM	8/20/2015	20183 (6)	\$50.00	\$0.00
POLYGRAPH SERVICES	101-435-475	EMPLOYEE PHYSICAL	8/12/2015	103	\$175.00	\$0.00
PURDON VOLUNTEER FIRE DEPT	101-435-475	INVESTIGATORS	9/1/2015	35708	\$500.00	\$0.00
PURSLEY VOLUNTEER FIRE DEPT	101-406-465	FIRE PROTECTION	9/1/2015	PURDON	\$525.00	\$0.00
REL M TECHNOLOGY	101-406-465	FIRE PROTECTION	9/1/2015	PURSLEY VFD	\$525.00	\$0.00
REPUBLIC SERVICES #069	101-407-445	REPAIRS & MAINTENANCE	8/13/2015	7442	\$125.00	\$0.00
RETRTAT VOLUNTEER FIRE DEPT	101-410-430	UTILITIES	8/25/2015	0069-000779141	\$478.17	\$0.00
RICE VOLUNTEER FIRE DEPT	101-406-465	FIRE PROTECTION	9/1/2015	RETRTAT VFD	\$700.00	\$0.00
RICHLAND VOLUNTEER FIRE DEPT	101-406-465	FIRE PROTECTION	9/1/2015	RICE VFD	\$525.00	\$0.00
ROBERT G DOHONEY	101-406-465	VISITING JUDGES	9/1/2015	RICHLAND VFD	\$700.00	\$0.00
SHERRY DOWD	101-430-413	TRAVEL/CONFERENCE/TRAINING	7/29/2015	07/31/15	\$371.05	\$0.00
SILVER CITY VOLUNTEER FIRE DEP	101-403-428	FIRE PROTECTION	9/1/2015	REIMBURSE - 09/01/15	\$62.90	\$0.00
SIRCHIE FINGER PRINT LABORATOR	101-406-465	INVESTIGATIVE / ENFORCEMENT	9/1/2015	SILVER CITY VFD	\$525.00	\$0.00
SIRCHIE FINGER PRINT LABORATOR	101-560-340	INVESTIGATIVE / ENFORCEMENT	8/30/2015	0221305-IN	\$370.95	\$0.00
SMALL ENGINE SALES & SERVICE	101-560-340	COUNTY FARM	8/30/2015	0221305-IN	\$39.06	\$0.00
SMALL ENGINE SALES & SERVICE	101-512-385	REPAIRS & MAINTENANCE	8/6/2015	165678	\$57.92	\$0.00
SMITH GENERAL STORE	101-512-445	COUNTY FARM	8/26/2015	166031	\$30.99	\$0.00
SMITH GENERAL STORE	101-512-385	COUNTY FARM	8/26/2015	90478	\$1,260.00	\$0.00
Southern Health Partners	101-512-385	INMATE MEDICAL - CONTRACT	9/2/2015	90374	\$11.00	\$0.00
SOUTHERN OAKS VOLUNTEER FIRE D	101-512-460	FIRE PROTECTION	8/2/2015	BASEZ4767	\$24,864.84	\$0.00
SPT SHINE FLOORS	101-406-465	REPAIRS & MAINTENANCE	9/1/2015	SOUTHERN OAKS	\$175.00	\$0.00
STAYBRIDGE SUITES	101-410-445	TRAVEL/CONFERENCE/TRAINING	8/19/2015	3497	\$480.00	\$0.00
	101-560-428		9/3/2015	HURLEY, GAIL	\$288.15	\$0.00

1507

Vendor Name	Account Number	Account Description	Document Date	Document Number	Debit Amount	Credit Amount
TEEX PUBLIC SAFETY & SECURITY	101-512-428	TRAVEL/CONFERENCE/TRAINING	8/20/2015	JH7215730	\$1,400.00	\$0.00
TERRI GILLEN	101-560-410	INVESTIGATIONS	9/1/2015	845999	\$169.50	\$0.00
TEXAS ASSN OF COUNTIES	101-401-206	WORKERS COMPENSATION	8/25/2015	132493	\$48.37	\$0.00
TEXAS ASSN OF COUNTIES	101-402-206	WORKERS COMPENSATION	8/25/2015	132493	\$97.21	\$0.00
TEXAS ASSN OF COUNTIES	101-403-206	WORKERS COMPENSATION	8/25/2015	132493	\$521.00	\$0.00
TEXAS ASSN OF COUNTIES	101-404-206	WORKERS COMPENSATION	8/25/2015	132493	\$313.43	\$0.00
TEXAS ASSN OF COUNTIES	101-405-206	WORKERS COMPENSATION	8/25/2015	132493	\$294.94	\$0.00
TEXAS ASSN OF COUNTIES	101-572-206	WORKERS COMPENSATION	8/25/2015	132493	\$18.49	\$0.00
TEXAS ASSN OF COUNTIES	101-640-206	WORKERS COMPENSATION	8/25/2015	132493	\$29.15	\$0.00
TEXAS ASSN OF COUNTIES	101-650-206	WORKERS COMPENSATION	8/25/2015	132493	\$645.00	\$0.00
TEXAS ASSN OF COUNTIES	101-554-206	WORKERS COMPENSATION	8/25/2015	132493	\$191.09	\$0.00
TEXAS ASSN OF COUNTIES	101-560-206	WORKERS COMPENSATION	8/25/2015	132493	\$127.43	\$0.00
TEXAS ASSN OF COUNTIES	101-560-206	WORKERS COMPENSATION	8/25/2015	132493	\$228.55	\$0.00
TEXAS ASSN OF COUNTIES	101-560-206	WORKERS COMPENSATION	8/25/2015	132493	\$280.00	\$0.00
TEXAS ASSN OF COUNTIES	101-561-206	WORKERS COMPENSATION	8/25/2015	132493	\$9,049.25	\$0.00
TEXAS ASSN OF COUNTIES	101-565-206	WORKERS COMPENSATION	8/25/2015	132493	\$514.95	\$0.00
TEXAS ASSN OF COUNTIES	101-497-206	WORKERS COMPENSATION	8/25/2015	132493	\$70.18	\$0.00
TEXAS ASSN OF COUNTIES	101-499-206	WORKERS COMPENSATION	8/25/2015	132493	\$119.97	\$0.00
TEXAS ASSN OF COUNTIES	101-512-206	WORKERS COMPENSATION	8/25/2015	132493	\$372.70	\$0.00
TEXAS ASSN OF COUNTIES	101-551-206	WORKERS COMPENSATION	8/25/2015	132493	\$14,533.87	\$0.00
TEXAS ASSN OF COUNTIES	101-552-206	WORKERS COMPENSATION	8/25/2015	132493	\$130.15	\$0.00
TEXAS ASSN OF COUNTIES	101-553-206	WORKERS COMPENSATION	8/25/2015	132493	\$162.67	\$0.00
TEXAS ASSN OF COUNTIES	101-458-206	WORKERS COMPENSATION	8/25/2015	132493	\$162.67	\$0.00
TEXAS ASSN OF COUNTIES	101-459-206	WORKERS COMPENSATION	8/25/2015	132493	\$136.09	\$0.00
TEXAS ASSN OF COUNTIES	101-475-206	WORKERS COMPENSATION	8/25/2015	132493	\$141.78	\$0.00
TEXAS ASSN OF COUNTIES	101-475-206	WORKERS COMPENSATION	8/25/2015	132493	\$186.35	\$0.00
TEXAS ASSN OF COUNTIES	101-475-206	WORKERS COMPENSATION	8/25/2015	132493	\$53.25	\$0.00
TEXAS ASSN OF COUNTIES	101-495-206	WORKERS COMPENSATION	8/25/2015	132493	\$275.36	\$0.00
TEXAS ASSN OF COUNTIES	101-411-206	WORKERS COMPENSATION	8/25/2015	132493	\$344.73	\$0.00
TEXAS ASSN OF COUNTIES	101-425-206	WORKERS COMPENSATION	8/25/2015	132493	\$65.91	\$0.00
TEXAS ASSN OF COUNTIES	101-430-206	WORKERS COMPENSATION	8/25/2015	132493	\$148.89	\$0.00
TEXAS ASSN OF COUNTIES	101-435-206	WORKERS COMPENSATION	8/25/2015	132493	\$272.65	\$0.00
TEXAS ASSN OF COUNTIES	101-456-206	WORKERS COMPENSATION	8/25/2015	132493	\$124.23	\$0.00
TEXAS ASSN OF COUNTIES	101-457-206	WORKERS COMPENSATION	8/25/2015	132493	\$142.73	\$0.00
TEXAS ASSN OF COUNTIES	101-407-206	WORKERS COMPENSATION	8/25/2015	132493	\$138.93	\$0.00
TEXAS ASSN OF COUNTIES	101-409-206	WORKERS COMPENSATION	8/25/2015	132493	\$98.00	\$0.00
TEXAS ASSN OF COUNTIES	101-410-206	WORKERS COMPENSATION	8/25/2015	132493	\$79.66	\$0.00
TEXAS ASSN OF COUNTIES	101-410-206	WORKERS COMPENSATION	8/25/2015	132493	\$946.25	\$0.00
TEXAS ASSN OF COUNTIES	101-410-206	WORKERS COMPENSATION	8/25/2015	132493	\$36.00	\$0.00
TEXAS ASSN OF COUNTIES	101-401-428	TRAVEL/CONFERENCE/TRAINING	8/25/2015	132493	\$635.83	\$0.00
TEXAS ASSN OF COUNTIES	101-401-428	TRAVEL/CONFERENCE/TRAINING	8/26/2015	GRANT, DAVID (1)	\$225.00	\$0.00
TEXAS ASSN OF COUNTIES	101-407-419	TRAVEL/CONFERENCE/TRAINING	8/26/2015	GRANT, JASON (1)	\$225.00	\$0.00
TEXAS ASSN OF COUNTIES	101-407-428	TRAVEL/CONFERENCE/TRAINING	8/31/2015	300001333	\$300.00	\$0.00
TEXAS ASSN OF COUNTIES	101-560-428	TRAVEL/CONFERENCE/TRAINING	8/5/2015	200001610	\$50.00	\$0.00
TEXAS DEPT OF STATE HEALTH SER	101-403-410	PROFESSIONAL SERVICES	9/1/2015	300001218	\$150.00	\$0.00
TEXAS DISTRICT & COUNTY ATTORN	101-475-310	OFFICE SUPPLIES	7/28/2015	31575	\$144.57	\$0.00
TEXAS DISTRICT & COUNTY ATTORN	101-475-419	DUES & SUBSCRIPTIONS	8/14/2015	39867	\$1,784.00	\$0.00
TEXAS JUVENILE JUSTICE DEPART	101-572-428	TRAVEL/CONFERENCE/TRAINING	8/26/2015	40059	\$130.00	\$0.00
TEXAS VOICE & DATA SERVICES, INC.	101-407-320	OPERATING EQUIPMENT	9/1/2015	SMITH, MELODY	\$75.00	\$0.00
TEXAS VOICE & DATA SERVICES, INC.	101-410-435	TELEPHONE	9/1/2015	20150915	\$127.00	\$0.00
THIEDFORD OFFICE SUPPLY	101-404-310	OFFICE SUPPLIES	8/31/2015	20150915-1	\$2,481.00	\$0.00
THIEDFORD OFFICE SUPPLY	101-407-312	COMPUTER SUPPLIES	7/17/2015	27459	\$299.00	\$0.00
				27398	\$99.98	\$0.00

Vendor Name	Account Number	Account Description	Document Date	Document Number	Debit Amount	Credit Amount
THEDFORD OFFICE SUPPLY	101-435-310	OFFICE SUPPLIES	9/1/2015	27458	\$179.99	\$0.00
THEDFORD OFFICE SUPPLY	101-435-310	OFFICE SUPPLIES	9/1/2015	27465	\$49.99	\$0.00
THEDFORD OFFICE SUPPLY	101-435-320	OPERATING EQUIPMENT	8/31/2015	27453	\$1,398.97	\$0.00
THEDFORD OFFICE SUPPLY	101-475-310	OFFICE SUPPLIES	8/18/2015	27446	\$618.00	\$0.00
THEDFORD OFFICE SUPPLY	101-475-310	OFFICE SUPPLIES	9/2/2015	27469	\$719.96	\$0.00
THEDFORD OFFICE SUPPLY	101-497-310	OFFICE SUPPLIES	9/3/2015	27473	\$249.99	\$0.00
TIDY TOILETS	101-512-385	COUNTY FARM	9/1/2015	71159	\$96.90	\$0.00
TIDY TOILETS	101-512-445	REPAIRS & MAINTENANCE	8/13/2015	7233	\$632.50	\$0.00
TM'S TIRES & WHEELS	101-560-445	REPAIRS & MAINT - VEHICLE	8/5/2015	057458	\$40.00	\$0.00
TM'S TIRES & WHEELS	101-560-445	REPAIRS & MAINT - VEHICLE	8/6/2015	057466	\$20.00	\$0.00
TM'S TIRES & WHEELS	101-560-445	REPAIRS & MAINT - VEHICLE	8/6/2015	057480	\$40.00	\$0.00
TM'S TIRES & WHEELS	101-560-445	REPAIRS & MAINT - VEHICLE	8/11/2015	057529	\$7.50	\$0.00
TM'S TIRES & WHEELS	101-560-445	REPAIRS & MAINT - VEHICLE	8/13/2015	057577	\$10.00	\$0.00
TM'S TIRES & WHEELS	101-560-445	REPAIRS & MAINT - VEHICLE	8/17/2015	057597	\$7.50	\$0.00
TM'S TIRES & WHEELS	101-560-445	REPAIRS & MAINT - VEHICLE	8/20/2015	057652	\$7.00	\$0.00
TM'S TIRES & WHEELS	101-560-445	REPAIRS & MAINT - VEHICLE	8/21/2015	057663	\$7.50	\$0.00
TM'S TIRES & WHEELS	101-560-445	REPAIRS & MAINT - VEHICLE	8/21/2015	057671	\$40.00	\$0.00
TM'S TIRES & WHEELS	101-560-445	REPAIRS & MAINT - VEHICLE	8/25/2015	057701	\$15.00	\$0.00
TM'S TIRES & WHEELS	101-560-445	REPAIRS & MAINT - VEHICLE	8/26/2015	057721	\$40.00	\$0.00
TM'S TIRES & WHEELS	101-560-445	REPAIRS & MAINT - VEHICLE	8/28/2015	057754	\$40.00	\$0.00
TROPHIES UNLIMITED	101-475-310	OFFICE SUPPLIES	9/1/2015	11951	\$136.00	\$0.00
TROPHIES UNLIMITED	101-560-310	OFFICE SUPPLIES	8/4/2015	11804	\$7.00	\$0.00
TROPHIES UNLIMITED	101-560-426	UNIFORMS	8/14/2015	11846	\$14.00	\$0.00
TROPHIES UNLIMITED	101-560-426	UNIFORMS	8/19/2015	11882	\$14.00	\$0.00
TROPHIES UNLIMITED	101-560-426	UNIFORMS	8/5/2015	11812	\$63.00	\$0.00
TROPHIES UNLIMITED	101-406-465	FIRE PROTECTION	9/1/2015	UNION HIGH VFD	\$350.00	\$0.00
TROPHIES UNLIMITED	101-499-310	OFFICE SUPPLIES	8/25/2015	4337	\$321.53	\$0.00
TROPHIES UNLIMITED	101-406-311	POSTAGE	9/10/2015	POSTAGE - SEP	\$5,000.00	\$0.00
TROPHIES UNLIMITED	101-475-370	GAS & OIL	8/27/2015	156951	\$85.97	\$0.00
TROPHIES UNLIMITED	101-560-445	REPAIRS & MAINT - VEHICLE	9/2/2015	3509	\$449.00	\$0.00
TROPHIES UNLIMITED	101-480-419	PUBLICATIONS	7/1/2015	832090524	\$444.00	\$0.00
TROPHIES UNLIMITED	101-480-419	PUBLICATIONS	8/1/2015	832277454	\$444.00	\$0.00
TROPHIES UNLIMITED	101-425-490	MENTAL / AD UTTEM	8/31/2015	00342	\$506.25	\$0.00
TROPHIES UNLIMITED	101-560-370	GAS & OIL	8/25/2015	534670	\$4,736.40	\$0.00
TROPHIES UNLIMITED	101-560-370	GAS & OIL	9/3/2015	534981	\$4,524.24	\$0.00
TROPHIES UNLIMITED	101-401-310	OFFICE SUPPLIES	9/1/2015	081096617	\$25.93	\$0.00
WINTERS OIL COMPANY	101-401-440	COPIER RENTAL	9/1/2015	081096617	\$281.50	\$0.00
WINTERS OIL COMPANY	101-402-440	COPIER RENTAL	9/1/2015	081096773	\$258.84	\$0.00
WINTERS OIL COMPANY	101-402-440	COPIER RENTAL	9/1/2015	081096774	\$296.62	\$0.00
WINTERS OIL COMPANY	101-402-440	COPIER RENTAL	9/1/2015	081096671	\$137.26	\$0.00
WINTERS OIL COMPANY	101-403-440	COPIER RENTAL	9/1/2015	081096777	\$232.61	\$0.00
WINTERS OIL COMPANY	101-571-440	COPIER RENTAL	9/1/2015	081096620	\$379.29	\$0.00
WINTERS OIL COMPANY	101-572-440	COPIER RENTAL	9/1/2015	081096621	\$151.56	\$0.00
WINTERS OIL COMPANY	101-499-440	COPIER RENTAL	9/1/2015	081096660	\$171.14	\$0.00
WINTERS OIL COMPANY	101-560-440	COPIER RENTAL	8/20/2015	080886747	\$226.30	\$0.00
WINTERS OIL COMPANY	101-561-310	OFFICE SUPPLIES	9/2/2015	081225913	\$6.35	\$0.00
WINTERS OIL COMPANY	101-561-440	COPIER RENTAL	9/2/2015	081225913	\$184.00	\$0.00
WINTERS OIL COMPANY	101-475-310	OFFICE SUPPLIES	9/1/2015	081096615	\$369.89	\$0.00
WINTERS OIL COMPANY	101-475-440	COPIER RENTAL	8/20/2015	080886746	\$118.65	\$0.00
WINTERS OIL COMPANY	101-495-310	OFFICE SUPPLIES	9/1/2015	080886746	\$391.67	\$0.00
WINTERS OIL COMPANY	101-495-440	COPIER RENTAL	9/1/2015	081096775	\$23.88	\$0.00
WINTERS OIL COMPANY	101-497-310	OFFICE SUPPLIES	9/1/2015	081096775	\$463.75	\$0.00
WINTERS OIL COMPANY	101-497-310	OFFICE SUPPLIES	9/1/2015	081096666	\$8.92	\$0.00

Vendor Name	Account Number	Account Description	Document Date	Document Number	Debit Amount	Credit Amount
XEROX CORP - TXMAS	101-497-440	COPIER RENTAL	9/1/2015	081096666	\$327.74	\$0.00
XEROX CORP - TXMAS	101-409-440	COPIER RENTAL	9/1/2015	081096694	\$215.10	\$0.00
XEROX CORP - TXMAS	101-411-360	DEMONSTRATION SUPPLIES	9/1/2015	081096619	\$70.08	\$0.00
XEROX CORP - TXMAS	101-411-440	COPIER RENTAL	9/1/2015	081096619	\$385.67	\$0.00
XEROX CORP - TXMAS	101-425-440	COPIER RENTAL	9/1/2015	081096613	\$208.68	\$0.00
XEROX CORP - TXMAS	101-430-440	COPIER RENTAL	9/1/2015	081096732	\$129.48	\$0.00
XEROX CORP - TXMAS	101-435-440	COPIER RENTAL	9/1/2015	081096690	\$152.20	\$0.00
XEROX CORP - TXMAS	101-403-440	COPIER RENTAL	9/1/2015	081096776	\$296.72	\$0.00
XEROX CORP - TXMAS	101-403-440	COPIER RENTAL	9/1/2015	081096674	\$132.64	\$0.00
XEROX CORP - TXMAS	101-403-440	COPIER RENTAL	9/1/2015	081096672	\$286.23	\$0.00
XEROX CORP - TXMAS	101-404-310	OFFICE SUPPLIES	9/1/2015	081096622	\$11.06	\$0.00
XEROX CORP - TXMAS	101-404-440	COPIER RENTAL	9/1/2015	081096622	\$398.29	\$0.00
XEROX CORP - TXMAS	101-406-422	JP TECHNOLOGY FUND	9/1/2015	081096618	\$171.14	\$0.00
					\$389,435.64	\$0.00

Fund: 151 Vendor Name Account Number Account Description Document Date Document Number Debit Amount Credit Amount

Vendor Name	Account Number	Account Description	Document Date	Document Number	Debit Amount	Credit Amount
BUTLER'S TINTING & ACCESSORIES	151-571-370	GAS, OIL & REPAIRS	8/27/2015	6178	\$75.00	\$0.00
CORRECTIONS SOFTWARE SOLUTIONS	151-571-315	COMPUTER SERVICES	8/1/2015	29664	\$1,990.00	\$0.00
HELPING OPEN PEOPLES EYES INC	151-571-410	CONTRACT & POLYGRAPHS SERVICES	8/31/2015	08/31/15	\$1,600.00	\$0.00
LISA K. BROWN	151-340-010	PROBATION FEES - COUNTY COURT	9/3/2015	70851 - REFUND	\$150.00	\$0.00
NAVARRO CO TAX ASSESSOR-COLLEC	151-571-370	GAS, OIL & REPAIRS	9/4/2015	2015-12	\$16.75	\$0.00
NAVARRO COUNTY GENERAL FUND	151-571-311	POSTAGE	9/3/2015	AUG 2015	\$154.81	\$0.00
SAM HOUSTON STATE UNIVERSITY	151-571-428	TRAVEL	9/2/2015	ALDAMA, CHRIS	\$175.00	\$0.00
SAN LUIS HOTEL	151-571-428	TRAVEL	9/2/2015	ALDAMA, CHRIS	\$327.75	\$0.00
THE FAMILY THERAPY PLACE	151-571-410	CONTRACT & POLYGRAPHS SERVICES	8/30/2015	08/01/15 - 08/30/15	\$720.00	\$0.00
XEROX CORP - TXMAS	151-571-410	CONTRACT & POLYGRAPHS SERVICES	8/30/2015	08/13/15	\$187.50	\$0.00
XEROX CORP - TXMAS	151-571-310	DEPARTMENT SUPPLIES	9/1/2015	081096615	\$3.23	\$0.00
XEROX CORP - TXMAS	151-571-310	DEPARTMENT SUPPLIES	9/1/2015	081096620	\$41.08	\$0.00
					\$5,441.12	\$0.00

1510

Fund: 161 Vendor Name

G4S YOUTH SERVICES, LLC
G4S YOUTH SERVICES, LLC
TEXAS ASSN OF COUNTIES

Account Number
161-576-411
161-576-412
161-572-206

Account Description
NON-RESIDENTIAL - TIER 2
RESIDENTIAL - TIER 2
WORKERS COMPENSATION

Document Date
9/1/2015
9/1/2015
8/25/2015

Document Number
NAVA-0815
NAVA-0815
132493

Debit Amount	Credit Amount
\$2,867.85	\$0.00
\$852.15	\$0.00
\$176.60	\$0.00
\$3,896.60	\$0.00

1511

1512

Vendor Name	Account Number	Account Description	Document Date	Document Number	Debit Amount	Credit Amount
FUND: 171						
FIREMAN SOIL SERVICES LLC	171-620-410	PROFESSIONAL SERVICES	8/20/2015	60	\$18,850.00	\$0.00
GREENLANDER LLC	171-620-410	PROFESSIONAL SERVICES	8/25/2015	2962	\$3,095.80	\$0.00
NAVARRO COUNTY SOIL & WATER	171-620-410	PROFESSIONAL SERVICES	9/1/2015	NCSC	\$3,000.00	\$0.00
					\$24,945.80	\$0.00

1513

APAC TEXAS INC	211-611-376	ROAD MATERIAL	7/18/2015	200397183	\$85.41	\$0.00
AT&T SERVICES INC.	211-611-435	TELEPHONE	8/27/2015	287236363034X082715	\$51.79	\$0.00
ATWOODS DISTRIBUTING LP	211-611-445	REPAIRS & MAINTENANCE	8/17/2015	2128/37	\$1.24	\$0.00
ATWOODS DISTRIBUTING LP	211-611-445	REPAIRS & MAINTENANCE	8/19/2015	2132/37	\$6.99	\$0.00
ATWOODS DISTRIBUTING LP	211-611-445	REPAIRS & MAINTENANCE	8/21/2015	2136/37	\$24.99	\$0.00
ATWOODS DISTRIBUTING LP	211-611-445	REPAIRS & MAINTENANCE	8/27/2015	2145/37	\$65.97	\$0.00
B & B WATER SUPPLY	211-611-445	REPAIRS & MAINTENANCE	8/27/2015	2146/37	\$65.97	\$0.00
B & G AUTO PARTS	211-611-430	UTILITIES	8/27/2015	262 - AUG	\$143.20	\$0.00
BIG H TIRE SERVICE	211-611-445	REPAIRS & MAINTENANCE	8/20/2015	606321	\$245.90	\$0.00
CONSTRUCTION EDGE	211-611-445	REPAIRS & MAINTENANCE	8/20/2015	158573	\$30.00	\$0.00
HOLT TEXAS LIMITED	211-611-445	REPAIRS & MAINTENANCE	8/25/2015	2455	\$3,160.00	\$0.00
HOLT TEXAS LIMITED	211-611-445	REPAIRS & MAINTENANCE	8/31/2015	P1WY0011721	\$2,150.00	\$0.00
HOWETH COMM REFRIGERATO	211-611-445	REPAIRS & MAINTENANCE	8/27/2015	W1MT0026526	\$1,848.00	\$0.00
HUFFMAN COMMUNICATIONS SALES I	211-611-450	MAINT CONTRACT	8/25/2015	17720	\$130.00	\$0.00
KNIFE RIVER CORPORATION-SOUT	211-611-376	ROAD MATERIAL	9/1/2015	46013	\$41.13	\$0.00
KNIFE RIVER CORPORATION-SOUT	211-611-376	ROAD MATERIAL	8/3/2015	487142	\$5,278.98	\$0.00
KNIFE RIVER CORPORATION-SOUT	211-611-376	ROAD MATERIAL	8/7/2015	488284	\$2,443.35	\$0.00
KNIFE RIVER CORPORATION-SOUT	211-611-376	ROAD MATERIAL	8/4/2015	487533	\$1,751.68	\$0.00
KNIFE RIVER CORPORATION-SOUT	211-611-376	ROAD MATERIAL	8/4/2015	487534	\$2,218.72	\$0.00
KNIFE RIVER CORPORATION-SOUT	211-611-376	ROAD MATERIAL	8/7/2015	488282	\$1,032.08	\$0.00
NAVARRO COUNTY ELECTRIC CO-OP	211-611-376	ROAD MATERIAL	8/7/2015	488283	\$2,344.51	\$0.00
O'REILLY AUTOMOTIVE STORES INC	211-611-430	UTILITIES	8/31/2015	4201 HWY 0022 - AUG	\$115.28	\$0.00
PURVIS BEARING SERVICE INC	211-611-445	REPAIRS & MAINTENANCE	8/14/2015	0763-275933	\$37.99	\$0.00
RATTLER ROCK INC	211-611-445	REPAIRS & MAINTENANCE	8/14/2015	6808215	\$205.60	\$0.00
REPUBLIC SERVICES #069	211-611-376	ROAD MATERIAL	8/3/2015	110490	\$137.92	\$0.00
TEXAS ASSN OF COUNTIES	211-611-430	WORKERS COMPENSATION	8/25/2015	0069-000779249	\$162.23	\$0.00
TOMMY MONTGOMERY SAND & GRAVEL	211-611-206	ROAD MATERIAL	8/25/2015	132493	\$2,722.20	\$0.00
TRUCK PARTS & SERVICE INC	211-611-376	REPAIRS & MAINTENANCE	8/27/2015	001373	\$22,603.98	\$0.00
TRUCK PARTS & SERVICE INC	211-611-445	REPAIRS & MAINTENANCE	8/27/2015	19419	\$55.54	\$0.00
TRUCK PARTS & SERVICE INC	211-611-445	REPAIRS & MAINTENANCE	8/28/2015	19437	\$13.64	\$0.00
VOLVO TRUCKS OF WACO	211-611-445	REPAIRS & MAINTENANCE	8/21/2015	19331	\$431.67	\$0.00
	211-611-445	REPAIRS & MAINTENANCE	9/4/2015	318474	\$59.09	\$0.00

\$49,665.05 \$0.00

Account Number	Account Description	Document Date	Document Number	Debit Amount	Credit Amount
212-612-445	REPAIRS & MAINTENANCE	8/27/2015	2521797	\$647.22	\$0.00
212-612-445	REPAIRS & MAINTENANCE	9/4/2015	2528527	\$352.07	\$0.00
212-612-430	UTILITIES	9/8/2015	3040895002 - SEP	\$41.95	\$0.00
212-612-495	MISCELLANEOUS	8/24/2015	2140/37	\$22.03	\$0.00
212-612-495	MISCELLANEOUS	8/20/2015	606325	\$60.00	\$0.00
212-612-445	REPAIRS & MAINTENANCE	9/1/2015	606507	\$69.60	\$0.00
212-612-445	REPAIRS & MAINTENANCE	9/2/2015	606533	\$41.80	\$0.00
212-612-445	REPAIRS & MAINTENANCE	9/3/2015	606531	\$14.95	\$0.00
212-612-445	REPAIRS & MAINTENANCE	8/27/2015	606435	\$15.95	\$0.00
212-612-430	UTILITIES	8/28/2015	1205 - AUG	\$75.05	\$0.00
212-612-495	MISCELLANEOUS	8/7/2015	0111	\$14.97	\$0.00
212-612-495	MISCELLANEOUS	8/10/2015	0116	\$19.96	\$0.00
212-612-495	MISCELLANEOUS	8/10/2015	0004 (4)	\$3.70	\$0.00
212-612-495	MISCELLANEOUS	8/11/2015	0101	\$19.96	\$0.00
212-612-495	MISCELLANEOUS	8/11/2015	0010	\$5.50	\$0.00
212-612-445	REPAIRS & MAINTENANCE	8/21/2015	36407/1	\$32.48	\$0.00
212-612-445	REPAIRS & MAINTENANCE	9/8/2015	813457	\$5.00	\$0.00
212-612-445	REPAIRS & MAINTENANCE	9/8/2015	813459	\$8.99	\$0.00
212-612-445	REPAIRS & MAINTENANCE	9/1/2015	3982	\$748.60	\$0.00
212-612-450	MAINT CONTRACT	8/27/2015	PIM000281694	\$340.20	\$0.00
212-612-495	MISCELLANEOUS	8/27/2015	PIM000281695	\$515.96	\$0.00
212-612-495	MISCELLANEOUS	9/1/2015	46015	\$41.12	\$0.00
212-612-376	ROAD MATERIAL	8/24/2015	130623	\$25.54	\$0.00
212-612-376	ROAD MATERIAL	8/31/2015	16018268	\$5,744.07	\$0.00
212-612-495	MISCELLANEOUS	8/27/2015	15985769	\$7,155.39	\$0.00
212-612-495	MISCELLANEOUS	9/1/2015	10241956	\$14.99	\$0.00
212-612-445	REPAIRS & MAINTENANCE	8/24/2015	AA39827	\$77.94	\$0.00
212-612-445	REPAIRS & MAINTENANCE	8/28/2015	203	\$215.00	\$0.00
212-612-445	REPAIRS & MAINTENANCE	9/3/2015	206	\$905.00	\$0.00
212-612-445	REPAIRS & MAINTENANCE	9/8/2015	207	\$256.00	\$0.00
212-612-445	REPAIRS & MAINTENANCE	9/1/2015	205	\$945.00	\$0.00
212-612-445	REPAIRS & MAINTENANCE	8/21/2015	201	\$30.00	\$0.00
212-612-445	REPAIRS & MAINTENANCE	8/25/2015	202	\$30.00	\$0.00
212-612-445	REPAIRS & MAINTENANCE	8/31/2015	204	\$60.00	\$0.00
212-612-445	REPAIRS & MAINTENANCE	9/9/2015	12631	\$99.99	\$0.00
212-612-206	WORKERS COMPENSATION	8/31/2015	7016234	\$223.08	\$0.00
212-612-445	REPAIRS & MAINTENANCE	8/25/2015	132493	\$2,273.55	\$0.00
212-612-445	REPAIRS & MAINTENANCE	9/3/2015	19518	\$142.25	\$0.00
212-612-445	REPAIRS & MAINTENANCE	8/28/2015	19431	\$51.61	\$0.00
212-612-445	REPAIRS & MAINTENANCE	9/1/2015	19483	\$47.69	\$0.00
212-612-445	REPAIRS & MAINTENANCE	8/31/2015	629	\$135.00	\$0.00
212-612-573	CAPITAL LEASE PRINCIPAL	9/1/2015	SCHED0000000004010	\$3,071.33	\$0.00
212-612-574	CAPITAL LEASE INTEREST	9/1/2015	SCHED0000000004010	\$234.86	\$0.00
212-612-370	GAS & OIL	8/24/2015	534614	\$3,248.55	\$0.00

\$28,078.90 \$0.00

1514

Fund: 213 Vendor Name Account Number Account Description Document Date Document Number Debit Amount Credit Amount

1518	BIG H TIRE SERVICE	213-613-445	REPAIRS & MAINTENANCE	7/31/2015	158429	\$34.00	\$0.00
	BIG H TIRE SERVICE	213-613-445	REPAIRS & MAINTENANCE	8/25/2015	158614	\$79.10	\$0.00
	BIG H TIRE SERVICE	213-613-445	REPAIRS & MAINTENANCE	8/25/2015	158619	\$25.00	\$0.00
	CITY OF DAWSON	213-613-430	UTILITIES	8/28/2015	324 - AUG	\$38.40	\$0.00
	CORSICANA NAPA AUTO PARTS	213-613-445	REPAIRS & MAINTENANCE	8/27/2015	052827	\$11.06	\$0.00
	CUMMINS HYDRAULIC INC	213-613-445	REPAIRS & MAINTENANCE	8/21/2015	6718	\$95.00	\$0.00
	FASTENAL - TXMAS	213-613-445	REPAIRS & MAINTENANCE	8/11/2015	77495	\$38.40	\$0.00
	HUFFMAN COMMUNICATIONS SALES I	213-613-450	MAINT CONTRACT	9/1/2015	46014	\$41.12	\$0.00
	JARVIS-PARIS-MURPHY CO INC	213-613-445	REPAIRS & MAINTENANCE	9/1/2015	36336	\$619.55	\$0.00
	JERRY'S TIRE HOUSE	213-613-445	REPAIRS & MAINTENANCE	8/27/2015	81115	\$1,454.00	\$0.00
	JERRY'S TIRE HOUSE	213-613-445	REPAIRS & MAINTENANCE	8/17/2015	80609	\$1,668.00	\$0.00
	KANSAS STATE BANK OF MANHATTA	213-613-573	CAPITAL LEASE PRINCIPAL	9/1/2015	SCHED00000000003010	\$2,752.66	\$0.00
	KANSAS STATE BANK OF MANHATTA	213-613-574	CAPITAL LEASE INTEREST	9/1/2015	SCHED00000000003010	\$7.91	\$0.00
	KEITH'S ACE HARDWARE	213-613-495	MISCELLANEOUS	8/7/2015	39587/6	\$24.99	\$0.00
	KNIFE RIVER CORPORATION-SOUT	213-613-446	REPAIRS & MAINT - LATERAL RD	8/31/2015	491263	\$1,152.97	\$0.00
	KNIFE RIVER CORPORATION-SOUT	213-613-446	REPAIRS & MAINT - LATERAL RD	8/26/2015	491024	\$1,018.43	\$0.00
	KNIFE RIVER CORPORATION-SOUT	213-613-446	REPAIRS & MAINT - LATERAL RD	9/1/2015	491828	\$1,017.24	\$0.00
	KNIFE RIVER CORPORATION-SOUT	213-613-446	REPAIRS & MAINT - LATERAL RD	9/2/2015	491911	\$1,012.83	\$0.00
	KNIFE RIVER CORPORATION-SOUT	213-613-376	ROAD MATERIAL	8/11/2015	488824	\$2,214.73	\$0.00
	KNIFE RIVER CORPORATION-SOUT	213-613-376	ROAD MATERIAL	8/25/2015	490631	\$104.72	\$0.00
	KNIFE RIVER CORPORATION-SOUT	213-613-446	REPAIRS & MAINT - LATERAL RD	8/19/2015	489632	\$670.60	\$0.00
	KNIFE RIVER CORPORATION-SOUT	213-613-446	REPAIRS & MAINT - LATERAL RD	8/20/2015	489555	\$831.39	\$0.00
	KNIFE RIVER CORPORATION-SOUT	213-613-446	REPAIRS & MAINT - LATERAL RD	8/25/2015	490631	\$501.48	\$0.00
	KNIFE RIVER CORPORATION-SOUT	213-613-446	REPAIRS & MAINT - LATERAL RD	8/24/2015	490991	\$513.94	\$0.00
	KNIFE RIVER CORPORATION-SOUT	213-613-376	ROAD MATERIAL	8/14/2015	488992	\$1,794.24	\$0.00
	KNIFE RIVER CORPORATION-SOUT	213-613-376	ROAD MATERIAL	8/17/2015	489487	\$516.67	\$0.00
	KNIFE RIVER CORPORATION-SOUT	213-613-376	ROAD MATERIAL	8/13/2015	489013	\$2,165.59	\$0.00
	KNIFE RIVER CORPORATION-SOUT	213-613-376	ROAD MATERIAL	8/12/2015	488929	\$2,072.14	\$0.00
	MARTIN MARIETTA MATERIALS, INC	213-613-376	ROAD MATERIAL	8/31/2015	16018294	\$5,899.73	\$0.00
	MILLS AUTO SUPPLY	213-613-445	REPAIRS & MAINTENANCE	8/25/2015	12JA0905	\$6.99	\$0.00
	MILLS AUTO SUPPLY	213-613-445	REPAIRS & MAINTENANCE	8/4/2015	12I29868	\$39.36	\$0.00
	MILLS AUTO SUPPLY	213-613-445	REPAIRS & MAINTENANCE	8/5/2015	12I29964	\$99.96	\$0.00
	MILLS AUTO SUPPLY	213-613-445	REPAIRS & MAINTENANCE	8/17/2015	12JA0522	\$68.72	\$0.00
	MILLS AUTO SUPPLY	213-613-445	REPAIRS & MAINTENANCE	8/20/2015	12JA0696	\$2.49	\$0.00
	MILLS AUTO SUPPLY	213-613-445	REPAIRS & MAINTENANCE	8/25/2015	12JA0904	\$245.98	\$0.00
	NORTHEAST TEXAS WATER SERVICE	213-613-430	UTILITIES	9/1/2015	00300419 - SEP	\$35.83	\$0.00
	OFFICE DEPOT INC-TXMAS	213-613-495	MISCELLANEOUS	8/26/2015	789664490001	\$102.45	\$0.00
	REPUBLIC SERVICES #069	213-613-430	UTILITIES	8/31/2015	0069-000779938	\$82.42	\$0.00
	TEXAS ASSN OF COUNTIES	213-613-206	WORKERS COMPENSATION	8/25/2015	132493	\$2,733.73	\$0.00
	THEDFORD OFFICE SUPPLY	213-613-495	MISCELLANEOUS	7/22/2015	27407	\$139.99	\$0.00
	TRUCK PARTS & SERVICE INC	213-613-445	REPAIRS & MAINTENANCE	8/25/2015	19381	\$44.60	\$0.00
	TRUCK PARTS & SERVICE INC	213-613-445	REPAIRS & MAINTENANCE	8/27/2015	19417	\$109.86	\$0.00
	VOLVO TRUCKS OF WACO	213-613-445	REPAIRS & MAINTENANCE	8/17/2015	317710	\$753.48	\$0.00
	WINDSTREAM	213-613-435	TELEPHONE	8/27/2015	254-578-1106 - AUG	\$101.27	\$0.00

\$32,943.02 \$0.00

Fund: 214 Vendor Name Account Number Account Description Document Date Document Number Debit Amount Credit Amount

1516

APAC TEXAS INC	214-614-446	REPAIRS & MAINT - LATERAL RD	8/22/2015	200406616	\$3,795.71	\$0.00
AT&T SERVICES INC.	214-614-435	TELEPHONE	9/1/2015	9036952513 - SEP	\$60.18	\$0.00
BRAZOS VALLEY EQUIPMENT COMPANY	214-614-445	REPAIRS & MAINTENANCE	9/3/2015	123024	\$310.75	\$0.00
CITY OF BLOOMING GROVE	214-614-430	UTILITIES	8/31/2015	0002 - AUG	\$224.56	\$0.00
CORSICANA NAPA AUTO PARTS	214-614-445	REPAIRS & MAINTENANCE	9/9/2015	053075	\$33.90	\$0.00
GEORGE P BANE INC	214-614-445	REPAIRS & MAINTENANCE	8/21/2015	01104127	\$491.83	\$0.00
HADENS AUTOMOTIVE	214-614-445	REPAIRS & MAINTENANCE	8/14/2015	3964	\$482.73	\$0.00
HADENS AUTOMOTIVE	214-614-445	REPAIRS & MAINTENANCE	8/20/2015	3961	\$1,968.08	\$0.00
HOME DEPOT CREDIT SERVICES	214-614-445	REPAIRS & MAINTENANCE	9/3/2015	115470	\$155.82	\$0.00
HUFFMAN COMMUNICATIONS SALES I	214-614-450	MAINT CONTRACT	9/1/2015	46016	\$41.13	\$0.00
US COMPANY	214-614-495	MISCELLANEOUS	9/3/2015	130801	\$25.54	\$0.00
JERRY'S TIRE HOUSE	214-614-445	REPAIRS & MAINTENANCE	8/17/2015	80624	\$1,436.00	\$0.00
KIRBY SMITH MACHINERY INC	214-614-445	REPAIRS & MAINTENANCE	8/25/2015	SWO0065791-1	\$1,604.48	\$0.00
RATTLER ROCK INC	214-614-376	ROAD MATERIAL	8/3/2015	110491	\$1,590.65	\$0.00
RATTLER ROCK INC	214-614-376	ROAD MATERIAL	8/4/2015	110499	\$967.41	\$0.00
RATTLER ROCK INC	214-614-376	ROAD MATERIAL	8/5/2015	110514	\$1,978.22	\$0.00
RATTLER ROCK INC	214-614-376	ROAD MATERIAL	8/6/2015	110530	\$1,843.10	\$0.00
RATTLER ROCK INC	214-614-376	ROAD MATERIAL	8/7/2015	110546	\$1,968.47	\$0.00
RATTLER ROCK INC	214-614-376	ROAD MATERIAL	8/10/2015	110575	\$943.44	\$0.00
RATTLER ROCK INC	214-614-376	ROAD MATERIAL	8/11/2015	110583	\$1,360.28	\$0.00
RATTLER ROCK INC	214-614-376	ROAD MATERIAL	8/12/2015	110589	\$1,108.96	\$0.00
RATTLER ROCK INC	214-614-376	ROAD MATERIAL	8/13/2015	110615	\$1,309.35	\$0.00
RATTLER ROCK INC	214-614-376	ROAD MATERIAL	8/14/2015	110623	\$638.93	\$0.00
TEXAS ASSN OF COUNTIES	214-614-446	REPAIRS & MAINT - LATERAL RD	8/28/2015	110770	\$1,015.66	\$0.00
TIMS TIRES & WHEELS	214-614-206	WORKERS COMPENSATION	8/25/2015	132493	\$2,625.25	\$0.00
TIMS TIRES & WHEELS	214-614-445	REPAIRS & MAINTENANCE	8/20/2015	057642	\$893.50	\$0.00
TIMS TIRES & WHEELS	214-614-445	REPAIRS & MAINTENANCE	8/25/2015	057699	\$294.00	\$0.00
TOMMY MONTGOMERY SAND & GRAVEL	214-614-376	ROAD MATERIAL	9/4/2015	001375	\$15,402.68	\$0.00
TOMMY MONTGOMERY SAND & GRAVEL	214-614-376	ROAD MATERIAL	9/3/2015	001376	\$10,365.31	\$0.00
WILLIAMS GIN & GRAIN COMPANY	214-614-445	REPAIRS & MAINTENANCE	9/1/2015	317699	\$90.49	\$0.00
WILLIAMS GIN & GRAIN COMPANY	214-614-445	REPAIRS & MAINTENANCE	9/2/2015	317741	\$46.91	\$0.00
WILLIAMS GIN & GRAIN COMPANY	214-614-445	REPAIRS & MAINTENANCE	8/27/2015	317347	\$9.50	\$0.00
WILLIAMS GIN & GRAIN COMPANY	214-614-445	REPAIRS & MAINTENANCE	8/20/2015	316852	\$22.24	\$0.00
WILLIAMS GIN & GRAIN COMPANY	214-614-445	REPAIRS & MAINTENANCE	8/25/2015	317201	\$14.46	\$0.00
WILLIAMS GIN & GRAIN COMPANY	214-614-445	REPAIRS & MAINTENANCE	9/1/2015	317698	\$90.49	\$0.00
WINTERS OIL COMPANY	214-614-370	GAS & OIL	8/21/2015	534547	\$3,694.90	\$0.00
WINTERS OIL COMPANY	214-614-370	GAS & OIL	8/25/2015	534664	\$3,542.00	\$0.00

\$62,446.91 \$0.00

Vendor Name Account Number Account Description Document Date Document Number Debit Amount Credit Amount

Vendor Name	Account Number	Account Description	Document Date	Document Number	Debit Amount	Credit Amount
AMARILLO POLICE DEPARTMENT	317-533-120	OVERTIME	8/25/2015	07/01/15 - 07/31/15	\$1,236.83	\$0.00
CITY OF ARLINGTON POLICE DEPT	317-523-120	OVERTIME	8/17/2015	07/31/15	\$1,319.37	\$0.00
COLLIN COUNTY AUDITORS OFFICE	317-525-120	OVERTIME	8/17/2015	07/22/15	\$211.25	\$0.00
CONSTELLATION NEWENERGY INC	317-516-418	FACILITIES	8/20/2015	0026538457-0001	\$3,988.17	\$0.00
DALLAS COUNTY SHERIFFS OFFICE	317-523-120	OVERTIME	8/7/2015	07/31/15	\$2,637.42	\$0.00
DALLAS COUNTY SHERIFFS OFFICE	317-523-120	OVERTIME	7/7/2015	07/29/15	\$1,704.30	\$0.00
DALLAS COUNTY SHERIFFS OFFICE	317-523-120	OVERTIME	7/7/2015	06/28/15	\$1,750.50	\$0.00
DALLAS COUNTY SHERIFFS OFFICE	317-526-120	OVERTIME	8/10/2015	07/30/15	\$1,750.50	\$0.00
DANNIE PATRICK CAUBLE	317-520-411	SERVICES	8/31/2015	2015-08	\$2,855.90	\$0.00
DELL MARKETING LP	317-516-585	EQUIPMENT	8/14/2015	XJR9T1F58	\$1,620.00	\$0.00
DELL MARKETING LP	317-530-585	EQUIPMENT	8/14/2015	XJR9T1F58	\$540.00	\$0.00
ELLIS COUNTY SHERIFFS DEPT	317-526-120	OVERTIME	8/17/2015	10/01/14 - 06/30/15	\$10,343.76	\$0.00
FEDEx -TXMAS	317-516-411	SERVICES	8/27/2015	5-140-68106	\$158.84	\$0.00
FEDEx -TXMAS	317-516-411	SERVICES	9/3/2015	5-140-99809	\$58.97	\$0.00
FORT WORTH POLICE DEPT	317-523-120	OVERTIME	8/10/2015	06/13/15 - 07/24/15	\$1,279.42	\$0.00
FORT WORTH POLICE DEPT	317-525-120	OVERTIME	8/10/2015	06/13/15 - 07/23/15	\$15,039.83	\$0.00
G2 RESEARCH	317-517-310	SUPPLIES	8/25/2015	1152	\$6,835.00	\$0.00
HARMON FIRE EXTINGUISHER SERVI	317-516-418	FACILITIES	8/26/2015	25863	\$228.20	\$0.00
IRVING POLICE DEPT	317-526-120	OVERTIME	8/3/2015	07/31/15	\$3,571.75	\$0.00
JANITORS WORLD	317-516-310	SUPPLIES	8/26/2015	36425	\$642.05	\$0.00
OFFICE DEPOT INC-TXMAS	317-516-310	SUPPLIES	8/17/2015	787010245001	\$119.07	\$0.00
OFFICE DEPOT INC-TXMAS	317-521-310	SUPPLIES	8/14/2015	786887100001	\$87.95	\$0.00
OFFICE DEPOT INC-TXMAS	317-524-310	SUPPLIES	8/20/2015	788392541001	\$118.28	\$0.00
OFFICE DEPOT INC-TXMAS	317-526-310	SUPPLIES	8/15/2015	787230388001	\$29.98	\$0.00
OFFICE DEPOT INC-TXMAS	317-526-310	SUPPLIES	8/17/2015	787230237001	\$7.03	\$0.00
PLANO POLICE DEPT	317-522-120	OVERTIME	8/20/2015	04/01/15 - 04/30/15	\$1,113.62	\$0.00
PLANO POLICE DEPT	317-522-120	OVERTIME	8/20/2015	05/01/15 - 05/31/15	\$1,523.90	\$0.00
PLANO POLICE DEPT	317-522-120	OVERTIME	8/20/2015	06/01/15 - 06/30/15	\$644.73	\$0.00
PLANO POLICE DEPT	317-522-120	OVERTIME	8/11/2015	07/01/15 - 07/31/15	\$58.61	\$0.00
POTTER COUNTY SHERIFF	317-533-120	OVERTIME	7/21/2015	06/01/15 - 06/30/15	\$773.77	\$0.00
POTTER COUNTY SHERIFF	317-533-120	OVERTIME	8/26/2015	07/01/15 - 07/31/15	\$773.77	\$0.00
POTTER COUNTY SHERIFF	317-533-120	OVERTIME	8/18/2015	07/01/15 - 07/31/15	\$1,443.42	\$0.00
REPUBLIC SERVICES #794	317-516-418	FACILITIES	8/25/2015	0794-010564719	\$472.41	\$0.00
SUDDENLINK	317-521-411	SERVICES	8/24/2015	09/02/15 - 10/01/15	\$321.10	\$0.00
TUFF-TILE	317-522-310	SUPPLIES	8/17/2015	H2503	\$362.26	\$0.00
VERIZON WIRELESS INC	317-521-411	SERVICES	8/20/2015	9750974372	\$1,174.72	\$0.00
XEROX CORP - TXMAS	317-516-411	SERVICES	9/1/2015	081096122	\$435.29	\$0.00

\$67,231.97 \$0.00

151

1518

Vendor Name	Account Number	Account Description	Document Date	Document Number	Debit Amount	Credit Amount
Fund: 318						
KEVIN KELLEY	318-516-412	SERVICES	8/31/2015	2015-16	\$3,725.82	\$0.00
LANCE SUMPTER	318-515-412	SERVICES	8/31/2015	2015-16	\$7,694.69	\$0.00
RUTH L. ASTON	318-517-412	SERVICES	8/31/2015	2015-16	\$2,251.05	\$0.00
TEXAS ASSN OF COUNTIES	318-515-206	WORKERS COMPENSATION	8/25/2015	132493	\$214.16	\$0.00
TEXAS ASSN OF COUNTIES	318-516-206	WORKERS COMPENSATION	8/25/2015	132493	\$104.26	\$0.00
TEXAS ASSN OF COUNTIES	318-517-206	WORKERS COMPENSATION	8/25/2015	132493	\$427.80	\$0.00
					\$14,417.78	\$0.00

1519

Vendor Name	Account Number	Account Description	Document Date	Document Number	Debit Amount	Credit Amount
TXAS ASSN OF COUNTIES	475-401-206	WORKERS COMPENSATION	8/25/2015	132493	\$18.49	\$0.00
					\$18.49	\$0.00

1520

Fund: 701	Vendor Name	Account Number	Account Description	Document Date	Document Number	Debit Amount	Credit Amount
	1113 ARCHITECTS INC	701-410-410	PROFESSIONAL SERVICES	9/2/2015	3364	\$12,317.49	\$0.00
	A-1 FIRE & SAFETY EQUIPMENT	701-412-540	IMPROVEMENTS OTHER THAN BLDG	8/28/2015	67528	\$16,993.00	\$0.00
	CITY ELECTRIC	701-410-445	REPAIRS & MAINTENANCE	8/26/2015	25606	\$86.32	\$0.00
	CODY MULDER	701-410-410	PROFESSIONAL SERVICES	9/4/2015	16	\$4,166.67	\$0.00
	PHOENIX I RESTORATION AND CONSTRUCTION, LTD	701-410-576	COURTHOUSE RESTORATION	8/31/2015	APPLICATION 15	\$575,319.51	\$0.00
	RONE ENGINEERING SERVICES	701-410-576	COURTHOUSE RESTORATION	8/31/2015	15-8-000097	\$545.60	\$0.00
						\$609,428.59	\$0.00
						\$1,287,949.87	\$0.00

1521

Vendor Name	Account Number	Account Description	Document Date	Document Number	Debit Amount	Credit Amount
fund: 475 TEXAS ASSN OF COUNTIES	475-401-206	WORKERS COMPENSATION	8/25/2015	132493	\$18.49	\$0.00
					\$18.49	\$0.00

1522

Vendor Name	Account Number	Account Description	Document Date	Document Number	Debit Amount	Credit Amount
1113 ARCHITECTS INC	701-410-410	PROFESSIONAL SERVICES	9/2/2015	3364	\$12,317.49	\$0.00
A-1 FIRE & SAFETY EQUIPMENT	701-412-540	IMPROVEMENTS OTHER THAN BLDG	8/28/2015	67528	\$16,993.00	\$0.00
CITY ELECTRIC	701-410-445	REPAIRS & MAINTENANCE	8/26/2015	25606	\$86.32	\$0.00
CODY MULDER	701-410-410	PROFESSIONAL SERVICES	9/4/2015	16	\$4,166.67	\$0.00
PHOENIX I RESTORATION AND CONSTRUCTION, L	701-410-576	COURTHOUSE RESTORATION	8/31/2015	APPLICATION 15	\$575,319.51	\$0.00
RONE ENGINEERING SERVICES	701-410-576	COURTHOUSE RESTORATION	8/31/2015	15-8-000097	\$545.60	\$0.00
					\$609,428.59	\$0.00
					\$1,287,949.87	\$0.00

1523

Fund: 101	Vendor Name	Account Number	Account Description	Document Date	Document Number	Debit Amount	Credit Amount
	AT&T SERVICES INC.	101-410-435	TELEPHONE	8/15/2015	9036543088 - AUG	\$568.77	\$0.00
	AT&T SERVICES INC.	101-475-435	CVC - TELEPHONE	8/19/2015	287256200779X0819	\$79.76	\$0.00
	AT&T SERVICES INC.	101-561-435	TELEPHONE - UVERSE BACKUP LAN	8/11/2015	9036416045 - AUG	\$55.22	\$0.00
	CONSTELLATION NEWENERG	101-410-430	UTILITIES	8/20/2015	0026936971-0001	\$33.63	\$0.00
	CONSTELLATION NEWENERG	101-410-430	UTILITIES	8/20/2015	0026938332-0001	\$246.25	\$0.00
	CONSTELLATION NEWENERG	101-410-430	UTILITIES	8/20/2015	0026938322-0001	\$12.47	\$0.00
	CONSTELLATION NEWENERG	101-410-430	UTILITIES	8/20/2015	0026937220-0001	\$113.87	\$0.00
	CONSTELLATION NEWENERG	101-410-430	UTILITIES	8/20/2015	0026936943-0001	\$521.59	\$0.00
	CONSTELLATION NEWENERG	101-410-430	UTILITIES	8/20/2015	0026936907-0001	\$1,135.94	\$0.00
	CONSTELLATION NEWENERG	101-410-430	UTILITIES	8/20/2015	0026936815-0001	\$492.14	\$0.00
	CONSTELLATION NEWENERG	101-410-430	UTILITIES	8/20/2015	0026936786-0001	\$3,352.87	\$0.00
	CONSTELLATION NEWENERG	101-512-435	UTILITIES	8/18/2015	0026937390-0001	\$117.07	\$0.00
	CONSTELLATION NEWENERG	101-560-429	TRAINING - FIRING RANGE	8/18/2015	0026867041-0001	\$79.25	\$0.00
	CORSICANA WATER DEPT	101-410-430	UTILITIES	8/20/2015	0026867057-0001	\$9.58	\$0.00
	CORSICANA WATER DEPT	101-410-430	UTILITIES	8/20/2015	014-0000020-008 AL	\$38.50	\$0.00
	CORSICANA WATER DEPT	101-410-430	UTILITIES	8/20/2015	014-0000010-005 AL	\$38.50	\$0.00
	CORSICANA WATER DEPT	101-410-430	UTILITIES	8/20/2015	006-0001690-001 AL	\$107.47	\$0.00
	CORSICANA WATER DEPT	101-410-430	UTILITIES	8/20/2015	006-0001691-001 AL	\$307.52	\$0.00
	CORSICANA WATER DEPT	101-410-430	UTILITIES	8/20/2015	014-0000120-003 AL	\$176.32	\$0.00
	CORSICANA WATER DEPT	101-410-430	UTILITIES	8/20/2015	014-0000122-002 AL	\$28.49	\$0.00
	CORSICANA WATER DEPT	101-512-435	UTILITIES	8/20/2015	014-0000190-002 AL	\$71.99	\$0.00
	MEN WATER SUPPLY CORP	101-402-430	UTILITIES - PARKS	8/26/2015	014-0000071-001 AL	\$4,110.60	\$0.00
	NORTHLAND COMMUNICATIO	101-568-446	REPAIRS & MAINT - EOC	8/17/2015	775 - AUG	\$32.00	\$0.00
	NORTHLAND COMMUNICATIO	101-475-436	INTERNET	8/17/2015	001-990490 - AUG	\$143.99	\$0.00
	OFFICE DEPOT INC-TXMAS	101-435-310	OFFICE SUPPLIES	8/6/2015	001-992860 - AUG	\$151.99	\$0.00
	OFFICE DEPOT INC-TXMAS	101-435-310	OFFICE SUPPLIES	8/7/2015	784018451001	\$440.95	\$0.00
	OFFICE DEPOT INC-TXMAS	101-435-310	OFFICE SUPPLIES	8/8/2015	784018502001	\$159.99	\$0.00
	OFFICE DEPOT INC-TXMAS	101-435-310	OFFICE SUPPLIES	8/6/2015	784018501001	\$27.49	\$0.00
	OFFICE DEPOT INC-TXMAS	101-435-310	OFFICE SUPPLIES	8/6/2015	784018500001	\$24.58	\$0.00
	OFFICE DEPOT INC-TXMAS	101-435-310	OFFICE SUPPLIES	8/6/2015	784018498001	\$191.47	\$0.00
	OFFICE DEPOT INC-TXMAS	101-560-310	OFFICE SUPPLIES	8/14/2015	784018497001	\$56.99	\$0.00
	OFFICE DEPOT INC-TXMAS	101-560-310	OFFICE SUPPLIES	8/17/2015	786987710001	\$10.22	\$0.00
	WEX BANK	101-560-370	GAS & OIL	8/16/2015	786987044001	\$72.13	\$0.00
					419655531	\$231.36	\$0.00
						\$13,240.96	\$0.00

Fund: 151

REDWOOD BIOTECH
WEX BANK

151-571-355
151-571-370

DRUG TESTING SUPPLIES
GAS, OIL & REPAIRS

8/13/2015
8/16/2015

523773
41965531

\$625.13
\$199.44

\$0.00
\$0.00

\$824.57

\$0.00

1524

CATERPILLAR FINANCIAL SER 211-611-573	CAPITAL LEASE PRINCIPAL	9/9/2015	SCHED00000000000091	\$3,132.03	\$0.00
CATERPILLAR FINANCIAL SER 211-611-574	CAPITAL LEASE INTEREST	9/9/2015	SCHED00000000000091	\$18.30	\$0.00
PROSPERITY BANK - #107155 211-611-573	CAPITAL LEASE PRINCIPAL	9/9/2015	SCHED00000000000061	\$3,150.13	\$0.00
PROSPERITY BANK - #107155 211-611-574	CAPITAL LEASE INTEREST	9/9/2015	SCHED00000000000061	\$435.21	\$0.00
PROSPERITY BANK - #107244 211-611-573	CAPITAL LEASE PRINCIPAL	9/3/2015	SCHED00000000000101	\$2,079.70	\$0.00
PROSPERITY BANK - #107244 211-611-574	CAPITAL LEASE INTEREST	9/3/2015	SCHED00000000000101	\$274.62	\$0.00
WELCH STATE BANK 211-611-573	CAPITAL LEASE PRINCIPAL	9/9/2015	SCHED00000000000081	\$2,105.18	\$0.00
WELCH STATE BANK 211-611-574	CAPITAL LEASE INTEREST	9/9/2015	SCHED00000000000081	\$220.60	\$0.00

\$11,415.77

\$0.00

1525

CONSTELLATION NEWENERG\212-612-430	UTILITIES	8/15/2015	0026799896-0001	\$52.33	\$0.00
CONSTELLATION NEWENERG\212-612-430	UTILITIES	8/15/2015	0026798304-0001	\$106.89	\$0.00
WELCH STATE BANK	CAPITAL LEASE PRINCIPAL	9/9/2015	SCHED000000000071	\$3,201.09	\$0.00
WELCH STATE BANK	CAPITAL LEASE INTEREST	9/9/2015	SCHED000000000071	\$187.81	\$0.00

\$3,548.12 \$0.00

1526

Fund: 213

WINDSTREAM

213-613-435

TELEPHONE

8/25/2015

903-362-3476 - AUG

\$132.88

\$0.00

\$132.88

\$0.00

1527

Fund: 214

PROSPERITY BANK-#1071239	214-614-573	CAPITAL LEASE PRINCIPAL	9/5/2015	SCHED000000000001	\$3,694.54	\$0.00
PROSPERITY BANK-#1071239	214-614-574	CAPITAL LEASE INTEREST	9/5/2015	SCHED000000000001	\$366.43	\$0.00
WINDSTREAM	214-614-435	TELEPHONE	8/21/2015	903-695-2513 - AUG	\$56.54	\$0.00

\$4,117.51 \$0.00

1528

ATMOS ENERGY	317-516-418	FACILITIES	8/20/2015	3027278267 - AUG	\$42.94	\$0.00
FEDEX -TXMAS	317-516-411	SERVICES	8/20/2015	5-133-20879	\$76.99	\$0.00
OFFICE DEPOT INC-TXMAS	317-517-310	SUPPLIES	8/6/2015	785246068001	\$31.19	\$0.00
OFFICE DEPOT INC-TXMAS	317-517-310	SUPPLIES	8/6/2015	785246067001	\$192.27	\$0.00
OFFICE DEPOT INC-TXMAS	317-517-310	SUPPLIES	8/11/2015	785436634001	\$49.95	\$0.00
OFFICE DEPOT INC-TXMAS	317-517-310	SUPPLIES	8/11/2015	785435957001	\$49.99	\$0.00
OFFICE DEPOT INC-TXMAS	317-521-310	SUPPLIES	8/12/2015	786415879001	\$69.72	\$0.00
OFFICE DEPOT INC-TXMAS	317-521-310	SUPPLIES	8/12/2015	786416050001	\$51.05	\$0.00

\$564.10

\$0.00

1530

Fund: 475

OFFICE DEPOT INC-TXMAS	475-401-310	OFFICE SUPPLIES	8/13/2015	786666502001	\$129.99	\$0.00
					\$129.99	\$0.00
					\$33,973.90	\$0.00

**NAVARRO COUNTY, TEXAS
BUDGET TRANSFER**

FUND: 101 - General Fund
MONTH: September

AMOUNT	ACCOUNT	ACCOUNT DESCRIPTION
(61.50)	101-497-428	TRAVEL/CONFERENCE/TRAINING
61.50	101-497-417	BONDS
0.00	TOTAL BUDGET ADJUSTMENT	

REASON: Cover overage

AMOUNT	ACCOUNT	ACCOUNT DESCRIPTION
(700.00)	101-497-428	TRAVEL/CONFERENCE/TRAINING
700.00	101-497-310	OFFICE SUPPLIES
0.00	TOTAL BUDGET ADJUSTMENT	

REASON: Cover overage

#9

NAVARRO COUNTY, TEXAS
BUDGET TRANSFER

FUND: 101 - General Fund
MONTH: September

AMOUNT	ACCOUNT	ACCOUNT DESCRIPTION
(200.00)	101-456-310	OFFICE SUPPLIES
200.00	101-456-428	TRAVEL/CONFERENCE/TRAINING
0.00	TOTAL BUDGET ADJUSTMENT	

REASON: Cover overage

1533

Judge Vicki Gray
Justice of the Peace Pct. 1 Navarro County
312 W. 2nd Ave.
Corsicana, Texas 75110
(903) 654-3057
(Fax: 903-654-3092)

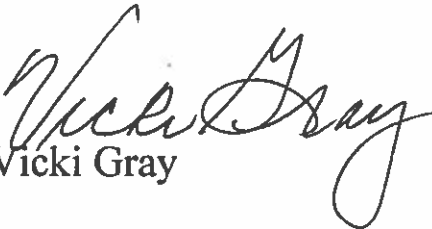
Date: August 25, 2015

To: The County Auditor

From: Vicki Gray, Justice of the Peace

Re: Line item change

Please move \$200 from my office supplies to my travel account


Vicki Gray

RECEIVED

AUG 28 2015

NAVARRO COUNTY
AUDITOR'S OFFICE

**NAVARRO COUNTY, TEXAS
BUDGET TRANSFER**

FUND: 101 - General Fund
MONTH: September

AMOUNT	ACCOUNT	ACCOUNT DESCRIPTION
(1,748.04)	101-512-310	OFFICE SUPPLIES
1,748.04	101-512-350	INMATE SUPPLIES
0.00	TOTAL BUDGET ADJUSTMENT	

REASON: Cover overage

AMOUNT	ACCOUNT	ACCOUNT DESCRIPTION
(895.50)	101-512-325	KITCHEN SUPPLIES
895.50	101-512-351	INMATE LINEN & BEDDING
0.00	TOTAL BUDGET ADJUSTMENT	

REASON: Cover overage

1535

NAVARRO COUNTY

ELMER TANNER
SHERIFF



MORRIS STEWARD
CHIEF DEPUTY

SHERIFF'S OFFICE

CRIMINAL JUSTICE CENTER
312 WEST 2ND AVE
CORSICANA, TX 75110
(903) 654-3001 Office (903) 654-3044 Fax

To: Navarro County Auditor's Office

08-25-2015

From: Sheriff Elmer Tanner

Re: Funds Transfer

Please move funds in the amount of \$1748.04 from Sheriff Jail account # 101-512-310 Jail Office Supplies, to account # 101-512-350 Jail Inmate Supplies

Please move funds in the amount of \$895.50 from Sheriff Jail account # 101-512-325 Jail Kitchen, to account # 101-512-351 Jail Inmate Linen

Elmer Tanner

RECEIVED

AUG 26 2015

NAVARRO COUNTY
AUDITOR'S OFFICE

#9

1536

BJE#164

**NAVARRO COUNTY, TEXAS
BUDGET TRANSFER**

FUND: 101 - General Fund
MONTH: September

AMOUNT	ACCOUNT	ACCOUNT DESCRIPTION
(3,201.00)	101-499-320	OPERATING EQUIPMENT
(2,000.00)	101-499-445	REPAIRS & MAINTENANCE
(100.00)	101-499-495	AUTO SUB-STATION
5,301.00	101-499-310	OFFICE SUPPLIES
0.00	TOTAL BUDGET ADJUSTMENT	

REASON: Purchase Tax Statements

NAVARRO COUNTY, TEXAS
BUDGET TRANSFER

FUND: 101 - General Fund
MONTH: September

AMOUNT	ACCOUNT	ACCOUNT DESCRIPTION
(1,175.95)	101-411-429	CONFERENCE/TRAINING
1,175.95	101-411-428	TRAVEL
0.00	TOTAL BUDGET ADJUSTMENT	

REASON: Cover Overage - Actual was higher than request

#15

1538

Office Boy

2611 Manana Drive * Dallas, TX 75220 * 214-357-9111 * Fax 214-357-9112

Job Name: North Texas HIDTA

Address: 8404 Esters Rd.
City, State Zip Irving, Texas 75063

Contact: Chris Lunger
Phone: (972) 915-9502 ext
Mobile:

Quote #: 5955

Quote Date: September 10, 2015

We are pleased with your recent inquiry regarding our services. Office Boy appreciates the opportunity to bid on this project.

Office Boy will relocate 125 modular workstations from current location at above to new location on Freeport Parkway.

To complete relocation Office Boy will complete the following:

- Disassemble 125 modular workstations
- Transport to new location and store in adjacent building (across the parking lot)
 - Within storage organize for ease of install
- Assemble panels of 90 modular workstations in new space per agreed upon reconfiguration.
- Steam clean all panels and wipe down all trim pieces.
- Complete installation by adding worksurfaces and components per agreed upon layout.
 - Modify modular parts and worksurfaces as needed to complete reconfiguration.
 - Provide additional electrical components as needed to complete reconfiguration.
- Transport Case Good furnishings to new location (s).

Quote Price: \$ 49,545.00.

Please sign below to indicate your acceptance of this quote. Thank you for your time and consideration of our services. We look forward to working with you.

Signature: _____
Your signature

Date: _____

Signature: _____
Office Boy, Inc.

Date: _____

Drive Time and 2-Hour Minimum applies.

Terms: Payment is due 30 days from invoice date. Interest will be charged for each month the payment has not been received commencing the 31st day after the day of invoice. Invoices more than 90 days old are subject to collection by attorney. Any attorney's fees, court costs, or other collection expenses incurred by Office Boy, Inc., and the collection process will be charged to the client. All legal proceedings will take place in Dallas, Texas. This document contains the entire agreement between Office Boy, Inc. and the above signatory. Any changes to this document must be in writing and signed by both Office Boy, Inc. and client.

1539

217

FILED FOR RECORD
AT 1:53 O'CLOCK 4 M.

SEP 18 2015

SHERRY BOWD, County Clerk
NAVARRO COUNTY, TEXAS
BY [Signature] DEPUTY

I, GAIL SMITH, PCC, NAVARRO COUNTY TAX ASSESSOR/COLLECTOR, DO HEREBY SWEAR UNDER OATH, THAT
THE ATTACHED REPORT IS A TRUE AND CORRECT REPORT.

TOTAL PAGES INCLUDING COVER SHEET 6

NAVARRO COUNTY, TEXAS
AD VALOREM TAXES COLLECTED DURING THE MONTH ENDING AUGUST 2015

DESCRIPTION	TAXES	DISCOUNT	PENALTY & INTEREST	SUBTOTAL	COLLECTION FEE	RENTION	NET TAXES DUE	MEMO ONLY ATTY FEES	% CURRENT COLLECTED
						PENALTY CAD %			
NAVARRO COUNTY									
CURRENT	61,740.93		10,707.15	72,448.08		1.45	72,446.63	13,002.36	17,890,125.50
DELINQUENT	22,384.24		10,333.88	32,718.12		0.61	32,717.51	6,278.73	%
TOTAL	84,125.17		21,041.03	105,166.20		2.06	105,164.14	19,281.09	0.35%
NAVARRO COLLEGE									LEVY
CURRENT	12,146.90		2,101.60	14,248.50		0.29	14,248.21	2,541.90	3,515,365.73
DELINQUENT	4,384.21		2,024.02	6,408.23		0.12	6,408.11	1,227.54	%
TOTAL	16,531.11		4,125.62	20,656.73		0.41	20,656.32	3,769.44	0.35%
CITY OF RICE									LEVY
CURRENT	1,273.70		240.72	1,514.42	66.56		1,447.86	302.87	165,332.85
DELINQUENT	30.67		18.27	48.94	4.73		44.21	9.11	%
TOTAL	1,304.37		258.99	1,563.36	71.29	0	1,492.07	311.98	0.77%
CITY OF KERENS									LEVY
CURRENT	1,798.22		339.49	2,137.71			2,137.71	427.54	268,811.00
DELINQUENT	257.14		234.62	491.76			491.76	98.36	%
TOTAL	2,055.36		574.11	2,629.47		0.00	2,629.47	525.90	0.67%
CITY OF CORSICANA									LEVY
CURRENT	16,355.02		2,938.77	19,293.79		0.34	19,293.45	3,649.39	7,979,153.72
DELINQUENT	12,409.64		5,641.19	18,050.83		0.15	18,050.68	3,527.48	%
TOTAL	28,764.66		8,579.96	37,344.62		0.49	37,344.13	7,176.87	0.20%

NAVARRO COUNTY, TEXAS
AD VALOREM TAXES COLLECTED DURING THE MONTH ENDING AUGUST 2015

DESCRIPTION	TAXES	DISCOUNT	PENALTY & INTEREST	SUBTOTAL	COLLECTION FEE	RENTITION PENALTY	NET TAXES DUE	MEMO ONLY ATTY FEES	% CURRENT COLLECTED
CITY OF BARRY									
CURRENT	77.03		14.64	91.67			91.67	18.34	19,239.67
DELINQUENT	75.39		23.37	98.76			98.76	19.75	%
TOTAL	152.42	-	38.01	190.43	-	0	190.43	38.09	0.40%
CITY OF EMHOUSE									
CURRENT	17.90		3.40	21.30			21.30	4.26	8,746.34
DELINQUENT	194.34		174.12	368.46			368.46	73.69	%
TOTAL	212.24	-	177.52	389.76	-	0	389.76	77.95	0.20%
CITY OF RICHLAND									
CURRENT	162.07		30.78	192.85			192.85	38.57	18,281.55
DELINQUENT									%
TOTAL	162.07	-	30.78	192.85	-	0	192.85	38.57	0.89%
CITY OF GOODLOW									
CURRENT	1.48		0.28	1.76	0.08		1.68	0.35	4,064.33
DELINQUENT	20.73		9.06	29.79	2.37		27.42	5.95	%
TOTAL	22.21	-	9.34	31.55	2.45	0	29.10	6.30	0.04%
CITY OF FROST									
CURRENT	582.49		110.68	693.17	30.59	0.83	661.75	138.62	83,760.90
DELINQUENT	694.10		409.53	1,103.63	105.85		997.78	220.72	%
TOTAL	1,276.59	-	520.21	1,796.80	136.44	0.83	1,659.53	359.34	0.70%
CITY OF DAWSON									
CURRENT	191.76		35.58	227.34			227.34	45.48	76,152.46
DELINQUENT	138.14		57.01	195.15			195.15	39.02	%
TOTAL	329.90	-	92.59	422.49	-	0	422.49	84.50	0.25%

NAVARRO COUNTY, TEXAS
 AD VALOREM TAXES COLLECTED DURING THE MONTH ENDING AUGUST 2015

DESCRIPTION	TAXES	DISCOUNT	PENALTY & INTEREST	SUBTOTAL	COLLECTION FEE	RENTITION PENALTY	NET TAXES DUE	MEMO ONLY ATTY FEES	% CURRENT COLLECTED
CITY-BLOOMING GROVE									
CURRENT	323.10		61.38	384.48			384.48	74.41	LEVY 107,460.74
DELINQUENT	438.56		238.77	677.33		0.35	676.98	135.46	%
TOTAL	761.66	-	300.15	1,061.81	-	0.35	1,061.46	209.87	0.30%
NAVARRO COUNTY ESD #1									LEVY
CURRENT	605.31	-	114.04	719.35	31.58		687.77	143.88	139,100.00
DELINQUENT	70.94		33.38	104.32	8.72		95.60	20.85	%
TOTAL	676.25	-	147.42	823.67	40.30	0	783.37	164.73	0.44%
BLOOMING GROVE ISD									LEVY
CURRENT	5,420.26		1,019.25	6,439.51			6,439.51	1,284.27	1,732,757.91
DELINQUENT	4,166.14		1,953.92	6,120.06		0.81	6,119.25	1,191.19	%
TOTAL	9,586.40	-	2,973.17	12,559.57	-	0.81	12,558.76	2,475.46	0.31%
DAWSON ISD									LEVY
CURRENT	10,107.06		2,289.45	12,396.51			12,396.51	2,768.16	1,986,751.21
DELINQUENT	819.67		381.89	1,201.56			1,201.56	240.32	%
TOTAL	10,926.73	-	2,671.34	13,598.07	-	0	13,598.07	3,008.48	0.51%
RICE ISD									LEVY
CURRENT	9,763.32		1,834.45	11,597.77			11,597.77	2,299.62	1,530,022.71
DELINQUENT	1,741.42		958.86	2,700.28			2,700.28	539.34	%
TOTAL	11,504.74	-	2,793.31	14,298.05	-	0.00	14,298.05	2,838.96	0.64%

NAVARRO COUNTY, TEXAS
AD VALOREM TAXES COLLECTED DURING THE MONTH ENDING AUGUST 2015

DESCRIPTION	TAXES	DISCOUNT	PENALTY & INTEREST	SUBTOTAL	COLLECTION FEE	RENTITION PENALTY	NET TAXES DUE	MEMO ONLY ATTY FEES	% CURRENT COLLECTED
CORSICANA ISD									
CURRENT	44,350.18		8,186.15	52,536.33		0.68	52,535.65	10,236.41	LEVY 18,352,224.72
DELINQUENT	24,289.79		11,112.86	35,402.65		0.30	35,402.35	7,055.19	%
TOTAL	68,639.97		19,299.01	87,938.98		0.98	87,938.00	17,291.60	0.24%
FROST ISD									
CURRENT	2,947.70		558.63	3,506.33			3,506.33	701.25	LEVY 1,225,307.13
DELINQUENT	1,940.25		935.28	2,875.53			2,875.53	575.09	%
TOTAL	4,887.95		1,493.91	6,381.86			6,381.86	1,276.34	0.24%
KERENS ISD *									
CURRENT	12,059.09		2,271.44	14,330.53			14,330.53	2,866.11	LEVY 2,840,300.62
DELINQUENT	1,754.06		1,116.97	2,871.03			2,871.03	574.21	%
TOTAL	13,813.15		3,388.41	17,201.56			17,201.56	3,440.32	0.42%
OLD ROADS									
CURRENT									LEVY
DELINQUENT									%
TOTAL									
GRAND TOTAL	255,732.95		68,514.88	324,247.83	250.48	5.93	323,991.42	62,375.79	

**COLLECTIONS FOR FROST ISD BEGAN 7/1/2012

*COLLECTIONS FOR KERENS ISD BEGAN 7/1/2014

YR-TO-DATE % CURRENT COLLECTED:	COUNTY	CITY - FROST	CITY - DAWSON	CITY-BL GROVE	NC ESD #1	B G ISD	DAWSON ISD	RICE ISD	CORSICANA ISD	FROST ISD	KERENS ISD
TOTAL COLLECTED	386,623.62	97.73%	97.33%	96.42%	96.46%	97.85%	96.93%	98.63%	98.09%	97.31%	96.65%
ROLLBACK TAXES		97.67%	96.32%	94.47%	98.11%	95.50%	93.71%	91.86%	83.21%		
TAX CERTIFICATES	1,570.00										

NAVARRO COUNTY, TEXAS
AD VALOREM TAXES COLLECTED DURING THE MONTH OF AUGUST 2015

1544

CURRENT TAXES	TAXES	PENALTY & INTEREST	SUBTOTAL	RENDITION PENALTY CAD %	NET TAXES DUE	MEMO ONLY ATTORNEY FEES
COUNTY	50,370.03	8,729.94	59,099.97	1.18	59,098.79	10,602.82
ROAD & BRIDGE	10,497.20	1,825.53	12,322.73	0.26	12,322.47	2,215.88
FLOOD CONTROL	873.70	151.68	1,025.38	0.01	1,025.37	183.66
TOTAL	61,740.93	10,707.15	72,448.08	1.45	72,446.63	13,002.36
DELINQUENT TAXES						
COUNTY	18,294.48	8,464.05	26,758.53	0.49	26,758.04	5,134.31
STATE	-	-	-	-	-	-
ROAD & BRIDGE	3,784.77	1,731.00	5,515.77	0.11	5,515.66	1,059.41
FLOOD CONTROL	304.99	138.83	443.82	0.01	443.81	85.01
TOTAL	22,384.24	10,333.88	32,718.12	0.61	32,717.51	6,278.73
TOTAL ALLOCATION						
COUNTY	68,664.51	17,193.99	85,858.50	1.67	85,856.83	15,737.13
STATE	-	-	-	-	-	-
ROAD & BRIDGE	14,281.97	3,556.53	17,838.50	0.37	17,838.13	3,275.29
FLOOD CONTROL	1,178.69	290.51	1,469.20	0.02	1,469.18	268.67
TOTAL	84,125.17	21,041.03	105,166.20	2.06	105,164.14	19,281.09

COUNTY TAX REPORT
Prepared by Gail Smith
Navarro County Tax Office

ARCHIVE PLAN

Introduction

Currently, this office is the custodian of records dating back to the mid 1800's. We are transferring records that were initially only on paper, and those on microfilm, into a digital format and into one program that can be easily retrieved for county and public use. Our ultimate goal is for the District Clerk, Judges and Attorneys to use a more efficient and "paper-on-demand" system. With our current and rising workload, the instilment of a paper-on-demand system with efficient, easy retrieval will be pivotal to the success of the program. The Supreme Court mandated that all counties in Texas (Navarro County by January 1, 2016) accept electronic filings starting January 1, 2014.

Designation of Court Documents subject to the plan:

All civil and criminal case files, pending, final or disposed. Any other document filed in this office that is subject to the District Clerk's retention schedule.

The Process

To accomplish the disposition of records dating back 160+ years, different methods will be considered.

The archiving of the continuity of records filed daily is done through our software program. Items are scanned to the case management system as they come in and are categorically linked to case numbers and names as an index. Older records that are only on paper are not secondarily stored anywhere else. If they are damaged, lost or destroyed; they are gone.

Different companies offer a variety of services and prices in order to "organize" our vault.

Our current process digitizes documents, but leaves us with the task of delegating different retention dates of records to see what can be destroyed. The Texas statutes are very complex on the subjects of what documents can be destroyed and when those said documents can be destroyed.

We will be operational and accepting e-filings within the year. This will dramatically reduce the volume of hard copy documents physically stored in-house, once this procedure is mandated.

The Goal

I, as Clerk of the 13th Judicial District, hope to reproduce and archive all documents, regardless of type, as efficiently as possible. I want to achieve, produce and maintain a navigable and organized records vault. The District Clerk's office is also planning the process of restoring historical hand-written records, suspending their deterioration and improving public access.

To complete our efforts toward electronic storage of all case files, we envision maintaining closed cases on our shelves for a short period of time and using computers to access information instantly.

With less cost to the county taxpayers long-term, we will continue this ongoing and efficient process by using the archive and technology fee, coupled with assets allocated to records management by the Navarro County Commissioner's Court, to cover the cost of scanning paper source documents. In addition to preserving the documents, the images will be added to our case management system. This will improve our customer service relations and allow for ease of access to Public Information. Additionally, significant space savings will be realized once paper documents are destroyed.

A portion of the closed cases have been scanned and preserved. Older tri-fold cases (1850's and up civil and tax) are a little more hands on. Our retention schedule requires us to keep everything prior to 1951. The approximate cost of this program **currently** is \$1.25 per document. If the documents are placed in a flat, acid free folder, indexed or styled with the cause number(s) and name(s), it is estimated at \$.45 per document. This includes restoration, a digital and the hard copy sent back to me in the acid free folder in plastic tote boxes, and they keep a secured microfilmed copy on record at the company headquarters. It costs roughly \$1000.00 to fully restore a hand-written, leather bound minute or index book. Several of these as well as an original indictment from infamous outlaw John Wesley Hardin were recently restored. With a competitive market and a fiscally conservative plan, there is no way to know an exact figure that it would take to get

our records entirely in order. With the courthouse restoration upon us and the move out of these records looming, I plan to use the funds collected from filing fees provided under these statutes, with Commissioner Courts approval, to digitize and consolidate as many permanent records as possible over the next two years. While in our temporary location, I have the best opportunity to dwindle our hard copies to an electronic record. The renewal of the state mandated fees are imperative to the integrity and accuracy of our archival program.

Possible Expenditures, including but not limited to:

Computer hardware, including any and all peripherals necessary,
Computer software,
Service provider and other outsourcing services,
Relevant staff salary
Data storage supplies
Travel expenses to and from a service provider to deliver and pickup case documents, if necessary.
Offsite storage unit costs
Document restoration

***UPDATE:**

Now on our second year of a three year plan, we have already received our electronic copy of the first 1/3 of the data and it is being integrated into our CMS. They are working on the remainder and will be returned to me (electronic and hard copies) upon request. We are waiting until we return to the courthouse to ensure proper storage. The above data pertains to civil cases, from 1855 – 1900. The next three year project will focus on the criminal cases from the same period. Any and all other funds appropriated will be used for the purpose of electronic indexing, integration and document restoration.

3 year total = \$60,000.00

HB 2182 effective September 1, 2015 allows for the District Clerk to accept the same fees for County Court at Law cases as District court cases, therefore assessing the District Court Archive and Technology fee to County Court at Law cases. There is now one fee schedule for my office rather than two. (one for each court).

9/14/15 NAG

1648

BREAKING DOWN TECHNOLOGY, ARCHIVE AND RECORDS MANAGEMENT FEE

1. **Archive Fee-** 51.305 provides a District Court Technology Fund, however it is for preserving and Restoring Records. We named this the Archive FEE- and it Requires Commissioner approval annually and a plan. It is used for preservation and restoration of records as outlined below. This fee should not to be confused with the Technology Fee, even though the funds are required to be deposited in a District Court Technology Fund

Sec. 51.305. DISTRICT COURT RECORDS TECHNOLOGY FUND. (better stated ARCHIVE FEE)

(a) In this section:

(1) "Court document" means any instrument, document, paper, or other record that the district clerk is authorized to accept for filing or maintenance.

(2) "Deterioration" means any naturally occurring process or a natural disaster that results in the destruction or partial destruction of a court document.

(3) "Preservation" means any process that:

(A) suspends or reduces the deterioration of a court document; or

(B) provides public access to a court document in a manner that reduces the risk of deterioration.

(4) "Restoration" means any process that permits the visual enhancement of a court document, including making the document more legible.

(b) The commissioners court of a county may adopt a district court records archive fee of not more than \$10 for the filing of a suit, including an appeal from an inferior court, or a cross-action, counterclaim, intervention, contempt action, motion for new trial, or third-party petition, in a district court in the county as part of the county's annual budget. The fee must be set and itemized in the county's budget as part of the budget preparation process and must be approved in a public meeting. The fee is for preservation and restoration services performed in connection with maintaining a district court records archive.

(c) The county treasurer, or the official who discharges the duties commonly delegated to the county treasurer, in a county that adopts a fee under Subsection (b) shall establish a district court records technology fund in the general fund of the county for deposit of fees paid under Section 51.317(f).

(d) Subject to Subsection (f), money generated from the fee imposed under this section may be expended only for the preservation and restoration of the district court records archive.

(e) The district clerk shall designate the court documents that are part of the records archive for purposes of this section. The designation of court documents by the district clerk under this subsection is subject to approval by the commissioners court in a public meeting.

(f) The district clerk in a county that adopts a fee under this section shall prepare an annual written plan for the preservation and restoration of the district court records archive. The plan may include a proposal for entering into a contract with another person for preservation and restoration services. The commissioners court shall publish notice of a public hearing on the plan in a newspaper of general

circulation in the county not later than the 15th day before the date of the hearing. After the public hearing, the plan shall be considered for approval by the commissioners court. Money in the district court records technology fund may be expended only as provided by the plan. All expenditures from the records technology fund must comply with Subchapter C, Chapter 262, Local Government Code.

(g) If a county imposes a fee under this section, a notice shall be posted in a conspicuous place in the district clerk's office. The notice must state the amount of the fee in the following form: "THE COMMISSIONERS COURT OF _____ (Insert name of county) COUNTY HAS DETERMINED THAT A RECORDS ARCHIVE FEE OF \$ _____ (Insert amount adopted by commissioners court) IS NEEDED TO PRESERVE AND RESTORE DISTRICT COURT RECORDS."

(h) Money remaining from the collection of fees imposed under this section after completion of a district court records archive preservation and restoration project may be expended for records management and preservation purposes in the manner provided by Section 51.317(d). The commissioners court of a county may not impose a fee under this section after the district court records archive preservation and restoration project is complete.

Added by Acts 2009, 81st Leg., R.S., Ch. 822, Sec. 1, eff. June 19, 2009.

2. Technology Fee is 51.708- see below – We named this fee- Records Technology fee

Technology Fee- (Can be used only to digitize records and preserve the records from a natural disaster.)

Sec. 51.708. ADDITIONAL FILING FEE FOR CIVIL CASES IN CERTAIN COURTS. (a) In addition to all other fees authorized or required by other law, the clerk of a county court, statutory county court, or district court shall collect a filing fee of not more than \$10 in each civil case filed in the court to be used for court record preservation for the courts in the county.

(b) Court fees due under this section shall be collected in the same manner as other fees, fines, or costs are collected in the case.

(c) The clerk at least monthly shall send the fees collected under this section to the county treasurer or to any other official who discharges the duties commonly assigned to the county treasurer. The treasurer or other official shall deposit the fees in a court record preservation account in the county treasury. The money in the account may be used only to digitize court records and preserve the records from natural disasters.

(d) The court record preservation account shall be administered by or under the direction of the commissioners court of the county.

Added by Acts 2009, 81st Leg., R.S., Ch. 1183, Sec. 8, eff. September 1, 2009.

3. **Record Management & Preservation Fee-** Is more generic and does not limit what these funds can be spent on. The best definition of the use of these funds is for the records management and preservation services performed by the county as outlined in LGC 203.002

Sec. 203.002. DUTIES AND RESPONSIBILITIES OF ELECTED COUNTY OFFICERS AS RECORDS MANAGEMENT OFFICERS. The elected county officer shall:

- (1) develop policies and procedures for the administration of an active and continuing records management program;
- (2) administer the records management program so as to reduce the costs and improve the efficiency of recordkeeping;
- (3) prepare and file with the director and librarian the records control schedules and amended schedules required by Section 203.041 and the list of obsolete records as provided by Section 203.044;
- (4) prepare requests for authorization to destroy records not on an approved control schedule as provided by Section 203.045, requests to destroy the originals of permanent records that have been microfilmed as provided by Section 204.008, and electronic storage authorization requests as provided by Section 205.007;
- (5) identify and take adequate steps to preserve records that are of permanent value;
- (6) identify and take adequate steps to protect the essential records of the office;
- (7) ensure that the maintenance, preservation, microfilming, destruction, or other disposition of records is carried out in accordance with the policies and procedures of the records management program and the requirements of this subtitle and rules adopted under it; and
- (8) cooperate with the commission in its conduct of statewide records management surveys.

Added by Acts 1989, 71st Leg., ch. 1248, Sec. 1, eff. Sept. 1, 1989.

The fee is established For a County Court at Law:

Sec. 118.0546. RECORDS MANAGEMENT AND PRESERVATION FEE--CIVIL CASES. (a) The fee for "Records Management and Preservation" under Section 118.052(County clerk fee list) is for the records management and preservation services performed by the county as required by Chapter 203.

(b) The fee shall be assessed as cost and must be paid at the time of filing any civil case or ancillary pleading thereto.

(c) The fee shall be placed in a special fund to be called the records management and preservation fund.

(d) The fee shall be used only for records management and preservation purposes in the county. No expenditure may be made from this fund without prior approval of the commissioners court.

Added by Acts 1993, 73rd Leg., ch. 675, Sec. 2, eff. Sept. 1, 1993.

For District Courts only: (although not stated specifically in statute, but same requirement in LGC 203 is followed for spending these fees.)

Sec. 51.317. FEES DUE AT FILING. (a) The district clerk shall collect at the time the suit or action is filed the fees provided by Subsections (b) and (b-1) for services performed by the clerk.

(b) The fees are:

(1) except as provided by Subsection (b-1), for filing a suit, including an appeal from an inferior court, \$50;

(2) for filing a cross-action, counterclaim, intervention, contempt action, motion for new trial, or third-party petition, \$15;

(3) for issuing a citation or other writ or process not otherwise provided for, including one copy, when requested at the time a suit or action is filed, \$8;

(4) for records management and preservation, \$10; and (see below)

(5) in addition to the other fees imposed under this section, for filing a suit, including an appeal from an inferior court, or a cross-action, counterclaim, intervention, contempt action, motion for new trial, or third-party petition, the amount adopted by the county commissioners court, not to exceed \$5, for court records archiving.

(b-1) The fees for filing a suit, including an appeal from an inferior court, are:

(1) \$75, for a suit with at least 11 but not more than 25 plaintiffs;

(2) \$100, for a suit with at least 26 but not more than 100 plaintiffs;

(3) \$125, for a suit with at least 101 but not more than 500 plaintiffs;

(4) \$150, for a suit with at least 501 but not more than 1,000 plaintiffs; and

(5) \$200, for a suit with more than 1,000 plaintiffs.

(b-2) The fee imposed under Subsection (b)(5) does not apply to a filing by a state agency.

(c) The district clerk, after collecting a fee under Subsection (b)(4), shall pay the fee to the county treasurer, or to an official who discharges the duties commonly delegated to the county treasurer, for deposit as follows:

County Wide RMP(1) \$5 to the county records management and preservation fund for records management and preservation, including automation, in various county offices; and

DGRMP(2) \$5 to the district clerk records management and preservation fund for records management and preservation services performed by the district clerk when a case or document is filed in the records office of the district clerk.

(d) A fee deposited in accordance with Subsection (c) may be used only to provide funds for specific records management and preservation, including for automation purposes, on approval by the commissioners court of a budget as provided by Chapter 111, Local Government Code.

(e) An expenditure from a records management and preservation fund must comply with Subchapter C, Chapter 262, Local Government Code.

(f) The district clerk, after collecting a fee under Subsection (b)(5), shall pay the fee to the county treasurer, or to an official who discharges the duties commonly delegated to the county treasurer, for deposit to the district court records technology fund established under Section 51.305.

Acts 1985, 69th Leg., ch. 480, Sec. 1, eff. Sept. 1, 1985. Amended by Acts 1986, 69th Leg., 2nd C.S., ch. 11, Sec. 5, eff. Sept. 22, 1986; Acts 1991, 72nd Leg., ch. 186, Sec. 1, eff. Sept. 1, 1991; Acts 1993, 73rd Leg., ch. 675, Sec. 5, eff. Sept. 1, 1993; Acts 1995, 74th Leg., ch. 641, Sec. 1.01, eff. Sept. 1, 1995; Acts 1997, 75th Leg., ch. 976, Sec. 1, eff. Sept. 1, 1997; Acts 2003, 78th Leg., ch. 732, Sec. 1, eff. Sept. 1, 2003; Acts 2003, 78th Leg., ch. 1080, Sec. 1, eff. Sept. 1, 2003.

Amended by:

Acts 2005, 79th Leg., Ch. 804, Sec. 3, eff. June 17, 2005.

Acts 2009, 81st Leg., R.S., Ch. 822, Sec. 2, eff. June 19, 2009.

519

1553



NAVARRO COUNTY DISTRICT CLERK

JOSHUA B. TACKETT

800 NORTH MAIN STREET, SUITE 201
P.O. BOX 1439
CORSIANA, TEXAS 75151

Phone: (903) 654-3040

FAX (903) 654-3088

DATE: 09/02/2015

TO: Navarro County Commissioners Court

INRE: Lenovo Laptop Contract (9 units)

The following contract has already been reviewed by Lowell Thompson, amended by the vendor, and reviewed again by Lowell Thompson.

The contract includes EIGHT (8) laptops for the District Clerks Office and ONE (1) for the County Clerks Office.

It was much cheaper to include her one unit with my existing contract of 8 units.

THANK YOU,


JOSHUA B. TACKETT, DISTRICT CLERK

Lenovo Financial Services

1. **REVIEW YOUR MASTER LEASE AGREEMENT, MASTER LEASE AGREEMENT SCHEDULE, DELIVERY AND ACCEPTANCE CERTIFICATE AND ACCOMPANYING DOCUMENTS.** Please take the time to review all of the enclosed documentallon. Contact the Lenovo Financial Services representative listed on the fax cover sheet of this package if any portion of your package is not clear and legible or you do not understand any document or portion thereof.
2. **SIGN THE ORIGINAL MASTER LEASE AGREEMENT. ALL SIGNATURES MUST BE ORIGINALS.**
This order will be approved only if an "authorized" corporate officer/employee signs the lease. The officer's/ employee's signature must include his/her title within the company. If a personal guaranty is required, the name of the guarantor who must sign the Personal Guaranty and Guarantor's Acknowledgement section of any Addendum will be typed in the Guarantor's signature section. When a personal guaranty is necessary, it must be signed by the individual indicated in that section for the order to be approved.
3. **TERMS AND CONDITIONS OF LEASE.** Each page of this Master Lease Agreement must be Initialed by the person who signs the Master Lease Agreement and each page of a Master Lease Agreement Schedule must be initialed by the person who signs the Schedule. Please review and sign in the designated area.
4. **ONLY IF Lenovo Financial Services DECIDES, IN ITS SOLE DISCRETION, THAT YOU MAY FAX A COMPLETED AND SIGNED SCHEDULE, PHOTOCOPY SUCH SCHEDULE.** You must have a plain paper fax machine or the Schedule must be copied onto plain paper before signing. If you are receiving the Schedule by fax transmission on your desktop computer, you will need a laser printer to print it out legibly.
5. **RETURN DOCUMENTS.** Return all required documents by mail or FEDEX (our account # is: 482200869)

Lenovo Financial Services
10201 Centurion Parkway North,
Suite 100
Jacksonville, FL 32256
Attention: Lenovo Team

CORPORATION

- President
- Vice President
- Treasurer
- Controller
- Chief _____ Officer:
 - Executive , Financial, Operating, Information, Accounting, Administrative, Analytics, Brand, Channel, Commercial, Compliance, Communications, Data, Detail, Information, Information Security, Legal, Marketing, Networking, Procurement, Risk, Strategy, Technical, Human Resources
- Director of Finance
- Director of Information Technology
- Administrator (Hospitals and Nursing Homes only)
- Information Technology Manager (Up to \$50,000)
- Director of Purchasing OR Purchasing Manager (Up to \$50,000)
- General Manager (Up to \$50,000)
- Operations Manager (Up to \$50,000)
- Branch Manager (Up to \$50,000)
- Facilities Manager (Up to \$50,000)
- Officer Manager (Up to \$25,000..Acceptable to non-publicly held corporations, professional associations and professional corporations only)

NON-PROFIT

- Refer to CORPORATION
- Executive Director
- Administrator (Up to \$50,000)

PROFESSIONAL CORPORATION/PROFESSIONAL ASSOCIATION

- Refer to CORPORATION

LIMITED LIABILITY CORPORATION/COMPANY

- Member
- Managing Member
- Manager
- First five titled persons named under CORPORATION

GENERAL PARTNERSHIP

- General Partner (may be a legal entity, if so follow those rules as well)

LIMITED PARTNERSHIP

- General Partner (may be a legal entity, if so follow those rules as well)

LIMITED LIABILITY PARTNERSHIP

- General Partner (may be a legal entity, if so follow those rules as well)

SOLE PROPRIETORSHIP

- Owner

CHURCH

- Refer to NON-PROFIT, however, only first five titled persons under CORPORATION
- Pastor

SCHOOL DISTRICTS

- Need school board approval for lease, person authorized on board approval must sign the lease

UNIVERSITIES / COLLEGES

Private

- Refer to "CORPORATION" (non-profit institutions)
- Chancellor / Vice Chancellor
- Provost / Vice Provost / Associate Provost
- Director/Administrator of Financial Services
- Director/Administrator of Purchasing/Procurement

Public

- May need PO – especially if ordered off a BPA / BOA
- Copy of authorization signed by board or RFP award
- Chancellor / Vice Chancellor
- Provost / Vice Provost / Associate Provost
- Director/Administrator of Financial Services
- Director/Administrator of Purchasing/Procurement

PUBLIC SECTOR

- Need certificate of authority / resolution authorizing transaction
- Fully executed and funded PO will substitute
- Awarded RFP
- Contracting Officer
- Purchasing / Procurement Director or similar title ok for transactions under \$100,000



Master Lease Number 1146322

Master State & Local Government Lease Agreement

This Master State & Local Government Lease Agreement #1146322 (the "Master Lease") contains the terms of your agreement with us. Please read it carefully and ask us any questions you may have. The words you, your and lessee mean you, our customer. The words we, us, our and the lessor, mean Lenovo Financial Services

1. **LEASE; DELIVERY AND ACCEPTANCE.** You agree to lease the equipment ("Equipment"), and finance any software and/or services described in any schedule (collectively the "Products") that incorporates this Master Lease by reference. A schedule to this Master Lease ("Schedule") shall incorporate this Master Lease by reference by listing the Master Lease Number set forth above on the Schedule. Each Schedule that incorporates this Master Lease shall be governed by the terms and conditions of this Master Lease, as well as the terms and conditions set forth in such individual Schedule. Each Schedule shall constitute an agreement separate and distinct from this Master Lease and any other Schedule. In the event of a conflict between the provisions of this Master Lease and a Schedule, the provisions of the Schedule shall govern but only with respect to that Schedule. The termination of this Master Lease will not affect any Schedules executed before the effective date of such termination. If you have entered into any purchase agreement or purchase order ("Purchase Contract") with any Vendor (as set forth on the applicable Schedule), you assign to us your rights under such Purchase Contract, but none of your obligations (other than the obligation to pay for the Equipment if it is accepted by you as stated below and you timely deliver to us such documents and assurances as we request). If you have not entered into a Purchase Contract, you authorize us to enter into a Purchase Contract on your behalf. You will arrange for the delivery of the Products to you. When you receive the Equipment, you agree to inspect it to determine if it is in good working order. Each Schedule, upon the delivery to us of a signed Delivery and Acceptance Certificate, will be deemed irrevocably accepted by you and will continue for the number of months specified in the Schedule, unless earlier terminated in accordance with Section 16 of this Master Lease. The first Lease Payment (as specified in the applicable Schedule) is due on or after the date the Equipment is delivered to you. The remaining Lease Payments (as specified in the applicable Schedule) will be due on the day of each subsequent month (or such other time period specified in each Schedule) designated by us. You will make all payments required under such Schedule to us at such address as we may specify in writing. If any Lease Payment or other amount payable under any Schedule is not paid within 10 days of its due date, you will pay us a late charge equal to the greater of (i) 5% of each late payment, or (ii) \$5.00 for each late payment (or such lesser amount as is the maximum amount allowable under applicable law.)

2. **NO WARRANTIES.** We are leasing the Equipment to you "AS-IS". YOU ACKNOWLEDGE THAT WE DO NOT MANUFACTURE THE EQUIPMENT, WE DO NOT REPRESENT THE MANUFACTURER OR THE SUPPLIER, AND YOU HAVE SELECTED THE EQUIPMENT VENDOR BASED UPON YOUR OWN JUDGMENT. WE MAKE NO WARRANTIES, EXPRESS OR IMPLIED, INCLUDING WARRANTIES OF MERCHANTABILITY OR FITNESS FOR A PARTICULAR PURPOSE OR OTHERWISE. YOU AGREE THAT REGARDLESS OF CAUSE, WE ARE NOT RESPONSIBLE FOR AND YOU WILL NOT MAKE ANY CLAIM AGAINST US FOR ANY DAMAGES, WHETHER CONSEQUENTIAL, DIRECT, SPECIAL, OR INDIRECT. YOU AGREE THAT NEITHER SUPPLIER NOR ANY SALESPERSON, EMPLOYEE OR AGENT OF SUPPLIER IS OUR AGENT OR HAS ANY AUTHORITY TO SPEAK FOR US OR TO BIND US IN ANY WAY. We transfer to you for the term of each Schedule any warranties made by the manufacturer or Supplier with respect to the Equipment leased pursuant to such Schedule.

3. **EQUIPMENT LOCATION; USE AND REPAIR; RETURN.** You may move the Products within the continental United States provided you give us written notification of the move within 30 days of the move, and you agree that you will be liable for any increase in any personal property taxes as a result of that relocation. For laptop computers, PDAs, and other mobile devices, the location listed on the Schedule is its base location ("Base Location") but these mobile devices may be temporarily located at other locations and you will notify us and be responsible for any tax increases should the Base Location change. At your own cost and expense, you will keep the Equipment eligible for any manufacturer's certification, in compliance with all applicable laws, and in good condition, except for ordinary wear and tear. You will not make any alterations, additions or replacements to the Equipment without our prior written consent. All alterations, additions or replacements will become part of the Equipment and our property at no cost or expense to us. We may inspect the Equipment at any reasonable time after advance notice to you. Unless you

purchase the Equipment in accordance with the terms of the applicable Schedule, at the end of or upon termination of each Schedule you will immediately return the Equipment subject to each expired or terminated Schedule to us, in good condition and repair, subject to ordinary wear and tear, to any place in the United States that we tell you. You will pay all remaining unpaid lease payments, late charges, insurance charges, and our estimated property taxes on the Products (based upon the prior year's actual property tax), shipping and other expenses, and you will insure the Products for its full replacement value during shipping. Unless we request return to us, you must retain physical possession of the Products through the end of the initial or any renewal lease term of any Schedule.

4. **DATA SECURITY:** Some or all of the Items of Equipment returned to us at any time may contain sensitive information or data belonging to your organization, or your customer/client/patient, that is stored, recorded, or in any way contained within or on the Equipment. You specifically agree that before the Products are shipped to or retrieved by us or our agents, or removed by a supplier, you will, at your sole cost and expense, permanently destroy, delete and remove all such information and data that is stored, recorded or in any way contained within or on the Products, to the extent that further recovery of any of such data and information is not possible. You have the sole responsibility to so destroy, delete, and remove all data and information stored in or on the Equipment. We have absolutely no liability for any data or information that you fail to so destroy, delete, and remove. All hard drives and other data retention components must function as originally installed after data removal.

5. **TAXES AND FEES.** You are responsible for all sales and use (unless you provide us with an acceptable Sales/Use Tax exemption form) personal property or other taxes relating to the use or ownership of the Products, now or hereafter imposed, or assessed by any state, federal, or local government or agency. You agree to pay when due, or reimburse us for, all taxes, fines or penalties imposed upon the Equipment and, if we elect, you agree to pay us estimated property taxes either with each lease payment or annually as invoiced by us. We will file all sales, use and personal property tax returns (unless we notify you otherwise in writing). We do not have to contest any taxes, fines or penalties, however, you may do so provided (a) you do so in your own name and at your own expense, (b) the contest will not result in any sort of lien being placed on the Products or otherwise jeopardize our rights in any of the Products, (c) you pay us for any taxes we remitted to the taxing authorities even though you be contesting the taxes and indemnify and hold us harmless for any expenses, including legal expenses, we incur as a result of such contest. If we file such personal property tax reports, you will pay property taxes as invoiced by us.

6. **LOSS OR DAMAGE.** As between you and us, you are responsible for any loss, theft, destruction of, or damage to, the Equipment (collectively, "Loss") from any cause at all, whether or not insured, until delivered to us at the end of the applicable Schedule. You are required to make all Lease Payments even if there is a Loss. You must notify us in writing immediately of any Loss. Then, at our option, you will either (a) repair the Equipment so that it is in good condition and working order, eligible for any manufacturer's certification, or (b) pay us the amounts specified in Section 9(b) of this Master Lease.

7. **INSURANCE.** You will provide and maintain at your expenses property insurance against the loss, theft or destruction of, or damage to, the Equipment for its full replacement value, naming us as loss payee; and (2) public liability and third party property insurance naming us as an additional insured. If you so request and if we give our prior written consent, in lieu of maintaining the insurance described in the preceding sentence, you may self-insure against such risks, provided that our interests are protected to the same extent as if the insurance required in clauses (1) and (2) above had been obtained by third party insurance carriers and provided further that such self insurance program is consistent with prudent business with respect to insuring such risk. You will give us certificates or other evidence of such insurance on the commencement date of this lease and at such times as we request. All insurance obtained from a third party insurer will be in a form, amount and with companies acceptable to us, and will provide that we be given 30 days advance notice of any cancellation or material change of such insurance.

IMPORTANT INFORMATION ABOUT PROCEDURES FOR OPENING A NEW ACCOUNT: To help the government fight the funding of terrorism and money laundering activities, Federal law requires all financial institutions to obtain, verify and record information that identifies each person who opens an account. What that means for you. When you open an account, we will ask for (i) if you are a legal entity, your name, address, and other information that will allow us to identify you; (ii) if you are an individual, your name, address and date of birth. We may also ask to see your driver's license or other identifying documents.

LESSOR: Lenovo Financial Services
10201 Centurion Parkway N. #100
Jacksonville, FL 32256

LESSEE: Navarro, County of
Lessee Legal Name

Lessee "Doing Business As" Name
800 North Main Street
Street Address
Corsicana, TX, 75110
City, State, Zip

X _____
Authorized Signature Date Signed

Printed Name _____

Print Title _____

X [Signature] 9-14-15
Authorized Signature Date Signed

X H.M. SAUENPORT, Jr
Print Signer's Name and Title

X 75-6001092
Federal Tax ID

8. PURCHASE OPTION; RENEWAL: If (a) you have not terminated a Schedule in accordance with Section 16 of this Master Lease and (b) no Default has occurred and is continuing under this Master Lease or any Schedule, you will have the option at the end of the initial or any renewal term of a Schedule to purchase all (but not less than 85%) of the Equipment covered by such Schedule at the Purchase Option price shown on such Schedule, plus any applicable taxes. Unless the Purchase Option price is \$1.00, you must give us at least 30 days written notice before the end of the initial term of a Schedule, that you will purchase the Equipment or that you will return all the Equipment to us. If you do not give us such written notice or if, having given such notice, you do not purchase or deliver the Equipment in accordance with the terms and conditions of this Master Lease and the applicable Schedule, the applicable Schedule will automatically renew for successive one month terms until you either purchase or deliver the Equipment to us. Each month during a renewal term the Lease Payment will remain the same. We may cancel an automatic renewal term by sending you written notice 10 days prior to such renewal term. If the Fair Market Value Purchase Option has been selected under any Schedule, we will use our reasonable judgment to determine the Equipment's fair market value as configured, in place and installed. You agree that the Fair Market Value is the amount that may reasonably be expected for the installed Equipment in an exchange between a willing buyer and a willing seller, including costs to make the Equipment fully operational. If you do not agree with our determination of the Equipment's in use and in place fair market value, the fair market value (in use and in place) will be determined at your expense by an independent appraiser mutually acceptable to you and us. Upon payment of the Purchase Option price, we shall transfer our interest in the Equipment to you "AS-IS, WHERE-IS" without any representation or warranty whatsoever and the applicable Schedule will terminate. To secure payment of all amounts due to us, to the extent permitted by law, you grant us a security interest in the Equipment (including any replacements, substitutions, additions, attachments and proceeds). You will keep the Equipment free of all liens and encumbrances. You authorize us to file financing statement(s) to protect our interest in the Equipment.

9. DEFAULT. Each of the following is a "Default" under this Master Lease and any Schedule: (a) you fail to pay any Lease Payment or any other payment within 30 days of its due date; (b) you do not perform any of our other obligations under this Master Lease or any Schedule or in any other agreement with us or with any of our affiliates and this failure continues for 30 days after we have notified you of it; (c) you become insolvent, you disavow, you assign your assets for the benefit of your creditors, you sell, transfer or otherwise dispose of all or substantially all of your assets, or you enter (voluntarily or involuntarily) any bankruptcy or reorganization proceeding; or (d) any representation or warranty made by you under this Master Lease or in any instrument you have provided us proves to be incorrect in any material respect.

10. REMEDIES. If a Default occurs, we may do one or more of the following: (a) we may cancel or terminate this Master Lease and/or any or all Schedules and any or all other agreements that we have entered into with you or withdraw any offer of credit; (b) subject to Section 17, we may require you to immediately pay us, as compensation for loss of our bargain and not as a penalty, a sum equal to (i) the present value of all unpaid Lease Payments for the remainder of the term plus, the present value of our anticipated residual value in the Products each discounted at 4% per year; (c) we may require you to deliver the Equipment to us as set forth in Section 3; (d) we or our agent may peacefully repossess the Equipment without court order and you will not make any claims against us for damages or trespass or any other reason; and (e) we may exercise any other right or remedy available at law or in equity. In the event of a dispute arising out of this Master Lease or any Schedules, the prevailing party shall be entitled to its reasonable collection costs and attorney fees and costs incurred in enforcing or defending this Master Lease or any Schedules. If we take possession of the Equipment, we may sell or otherwise dispose of it with or without notice, at a public or private sale, and apply the net proceeds (after we have deducted all costs related to the sale or disposition of the Equipment) to the amounts that you owe us. You will remain responsible for any amounts that are due after we have applied such net proceeds. You agree that if notice of sale is required by law to be given, 10 days notice shall constitute reasonable notice.

11. FINANCE LEASE STATUS. You agree that Article 2A-Leases of the Uniform Commercial Code applies to a Schedule, such Schedules will be considered a "finance lease" as that term is defined in Article 2A. By signing each Schedule, you agree that either (a) you have reviewed, approved, and received a copy of the purchase contract or (b) that we have informed you of the identity of the Supplier, that you may have rights under the purchase contract, and that you may contact the supplier for a description of those rights. TO THE EXTENT PERMITTED BY APPLICABLE LAW, YOU WAIVE ANY AND ALL RIGHTS AND REMEDIES CONFERRED UPON A LESSEE BY ARTICLE 2A.

12. ASSIGNMENT. YOU MAY NOT ASSIGN, BELL, TRANSFER OR SUBLEASE THE EQUIPMENT OR YOUR INTEREST IN THIS MASTER LEASE OR ANY SCHEDULE WITHOUT OUR PRIOR WRITTEN CONSENT, WHICH CONSENT SHALL NOT BE UNREASONABLY WITHHELD WITH US ACTING IN A COMMERCIALLY REASONABLE MANNER. We may, without notifying you, set, assign, or transfer this Master Lease or any Schedule and our rights to the Equipment. You agree that the new owner will have the same rights and benefits that we have now under this Master Lease and any Schedule but not our obligations, which obligations we will remain responsible for. The rights of the new owner will not be subject to any claims, defenses or set-off that you may have against us or the supplier.

13. INDEMNIFICATION. To the extent not prohibited by applicable law, You are responsible for and agree to indemnify and hold us harmless from any (a) losses, damages, penalties, claims, suits and actions (collectively "Claims"), whether based on a theory of strict liability or otherwise caused by or related to the manufacture, installation, ownership, use, lease, possession or delivery of the Products or any defects in the Products and (b) all reasonable costs and attorneys' fees incurred by us relating to any Claim. You agree to reimburse us for and if we request, to defend us against, any Claims, except Claims caused by our willful misconduct. You agree that your obligations under this Section 16 and Section 8 shall survive the termination of this Master Lease or Claims arising during the term of this Master Lease or any Schedule. 14. MISCELLANEOUS. You agree that the terms and conditions contained in this Master Lease and any Schedule make up the entire agreement between you and us regarding the lease of the Equipment. This Master Lease is not binding on us until we sign it. Any change in any of the terms and conditions of this Master Lease or any Schedule must be in writing and signed by us, either manually or by electronic transmission. You agree, however, that we are authorized, without notice to you, to supply missing information or correct obvious errors in this Master Lease. If we delay or fail to enforce any of our rights under this Master Lease or any Schedule, we will still be entitled to enforce those rights at a later time. All notices shall be given in writing by the party sending the notice and shall be effective when deposited in the U.S. Mail, addressed to the party receiving the notice at its address shown on the front of this Master Lease (or to any other address specified by that party in writing) with postage prepaid. All of our rights and indemnities will survive the termination of this Master Lease or any Schedule. It is the express intent of the parties not to violate any applicable usury laws or to exceed the maximum amount of the price differential or interest, as applicable, permitted to be charged or collected by applicable law, and any such excess will be applied to Lease Payments in inverse order of maturity, and any remaining excess will be refunded to you. If you do not perform any of your obligations under this Master Lease or any Schedule, we have the right, but not the obligation to take any action or pay any amounts that we believe are necessary to protect our interests. You agree to reimburse us immediately upon our demand for any such amounts that we pay. IF A SIGNED COPY OF THIS MASTER LEASE OR A SCHEDULE IS DELIVERED TO US BY FACSIMILE TRANSMISSION, IT WILL BE BINDING ON YOU. HOWEVER, WE WILL NOT BE BOUND BY THIS MASTER LEASE OR A SCHEDULE UNTIL WE ACCEPT IT BY MANUALLY SIGNING IT OR BY PURCHASING THE EQUIPMENT SUBJECT TO THE APPLICABLE SCHEDULE, WHICHEVER OCCURS FIRST. YOU WAIVE NOTICE OF OUR ACCEPTANCE AND WAIVE YOUR RIGHT TO RECEIVE A COPY OF THE ACCEPTED MASTER LEASE. YOU AGREE THAT, NOTWITHSTANDING ANY RULE OF EVIDENCE TO THE CONTRARY, IN ANY HEARING, TRIAL OR PROCEEDING OF ANY KIND WITH RESPECT TO THIS MASTER LEASE, WE MAY PRODUCE A COPY OF THE MASTER LEASE TRANSMITTED TO US BY FACSIMILE TRANSMISSION THAT HAS BEEN MANUALLY SIGNED BY US AND SUCH COPY SHALL BE DEEMED TO BE THE ORIGINAL OF THIS MASTER LEASE. TO THE EXTENT (IF ANY)

THAT ANY SCHEDULE TO THIS MASTER LEASE CONSTITUTES CHATTEL PAPER UNDER THE UNIFORM COMMERCIAL CODE, NO SECURITY INTEREST IN THE SCHEDULE MAY BE CREATED THROUGH THE TRANSFER AND POSSESSION OF ANY COPY OR COUNTERPART HEREOF EXCEPT THE COPY WITH OUR ORIGINAL SIGNATURE. IF YOU DELIVER THIS MASTER LEASE TO US BY FACSIMILE TRANSMISSION, YOU ACKNOWLEDGE THAT WE ARE RELYING ON YOUR REPRESENTATION THAT THIS MASTER LEASE HAS NOT BEEN CHANGED. If more than one Lessee has signed this Master Lease, each of you agrees that your liability is joint and several.

15. FUNDING INTENT. You reasonably believe that funds can be obtained to make all Lease Payments during the Term of any Schedule and hereby covenant that your chief executive or administrative officer or the administrative officer of yours charged with preparing the budget submitted to your governing body, as applicable, will provide for funding for such payments in your annual budget request submitted to your governing body. If your governing body elects not to appropriate funds for such payments, it shall evidence such nonappropriation by emitting funds for such payments due during the applicable fiscal period from the budget it adopts. You and we agree that your obligation to make Lease Payments under any Schedule will be your current expense and will not be interpreted to be a debt in violation of applicable law or constitutional limitations or requirements. It is your intent to make Lease Payments for the full Term of any Schedule if funds are legally available therefore your present warrant and covenant to us that the use of the Equipment is essential to its proper, efficient and economic operation. You will provide us with an essential use covered to us that, among other things, you shall use the Equipment only for its governmental purposes.

16. NONAPPROPRIATION OF FUNDS. In the event sufficient funds are not appropriated and budgeted by your governing body or are not otherwise available in any fiscal period for Lease Payments (or any other amount due hereunder) under a Schedule, and provided that you have exhausted all funds legally available for payment of the Lease Payments, then you shall immediately notify us of such occurrence and provide us with evidence of such non-appropriation acceptable to us (e.g., written certification by your legal counsel) and the Schedule shall terminate on the last day of the fiscal period for which funds for Lease Payments are available without penalty or expense to you of any kind whatsoever, except as to the persons of Lease Payments and those expenses associated with your surrender of the Equipment pursuant to Section 3 for which funds shall have been appropriated and budgeted or are otherwise available. Upon such termination, title to the Equipment shall vest with us. This Section 16 will not be construed so as to permit you to terminate any Schedule in order to acquire any other equipment or services or to allocate funds directly or indirectly to perform essentially the same application for which the Equipment is intended.

17. AUTHORITY AND AUTHORIZATION. You represent, warrant and covenant to us that: (a) You are a State or political subdivision thereof, as those terms are used in §103 of the Code; (b) You have the power and authority to enter into this Master Lease and Schedules; (c) this Master Lease and any Schedules have been duly authorized, executed and delivered by you and constitutes a valid, legal and binding agreement enforceable against you in accordance with its terms; (d) no further approval, consent or withholding of objections is required from any governmental authority with respect to this Master Lease or Schedules; (e) the entering into and performance of this Master Lease and Schedules will not violate any judgment, order, law or regulation applicable to you or result in the creation of any tax, charge, security interest or other encumbrance upon the Equipment or your assets; (f) there are no actions, suits or proceedings pending or threatened against or affecting you in any court or before any governmental commission, board or authority, that, if adversely determined, would have a material adverse effect on your ability to perform your obligations under the Master Lease or any Schedule; (g) the Equipment is tangible personal property and shall not become a fixture or real property under your use thereof; (h) you have complied with all bidding requirements and, where necessary, by due notification have presented the Master Lease, the Schedules and any ancillary documents for approval and adoption as a valid obligation on your part; (i) you will do or cause to be done all things necessary to preserve and keep the Master Lease and Schedules in full force and effect; and (j) it has sufficient appropriations or other funds available to pay all amounts due under the Schedules for the then current fiscal period. You shall be deemed to have reaffirmed the representations and warranties set forth in this Section 17 each time you execute a Schedule to this Master Lease. Contemporaneously with your execution of a Schedule to this Master Lease, you will complete, execute and provide us with an incumbency certificate (in form satisfactory to us) and an opinion of counsel (in form satisfactory to us) as to the matters set forth in clauses (a) through (j) of this Section 17.

18. GOVERNMENT USE. YOU REPRESENT, WARRANT AND COVENANT AS FOLLOWS: (A) YOU SHALL COMPLY WITH THE INFORMATION REPORTING REQUIREMENTS OF §148(e) OF THE INTERNAL REVENUE CODE OF 1986, AS AMENDED (CODE), INCLUDING BUT NOT LIMITED TO, THE EXECUTION (AND DELIVERY TO US) OF INFORMATION STATEMENTS REQUESTED BY US; (B) YOU SHALL NOT DO, CAUSE TO BE DONE OR FAIL TO DO ANY ACT IF SUCH ACT OR FAILURE TO ACT WILL CAUSE THIS MASTER LEASE, OR ANY SCHEDULE HEREUNDER, TO BE AN ARBITRAGE BOND WITHIN THE MEANING OF §149 OF THE CODE; (C) YOU SHALL NOT DO, CAUSE TO BE DONE OR FAIL TO DO ANY ACT IF SUCH ACT OR FAILURE TO ACT WILL CAUSE THIS MASTER LEASE, OR ANY SCHEDULE HEREUNDER, TO BE A PRIVATE ACTIVITY BOND WITHIN THE MEANING OF §141 OF THE CODE; (D) YOU SHALL NOT DO, CAUSE TO BE DONE OR FAIL TO DO ANY ACT IF SUCH ACT OR FAILURE TO ACT WILL CAUSE THE INTEREST PORTION OF THE LEASE PAYMENTS TO BE OR BECOME SUBJECT TO FEDERAL INCOME TAXATION UNDER THE CODE, EXCEPT AS SUCH INTEREST PORTION MAY BE TAKEN INTO ACCOUNT AS AN ADJUSTMENT IN DETERMINING THE ALTERNATIVE MINIMUM TAX AND ENVIRONMENTAL TAX IMPOSED ON CORPORATIONS, AND (E) YOU SHALL BE THE ONLY ENTITY TO OWN, USE OR OPERATE THE EQUIPMENT DURING THE TERM. YOU SHALL BE DEEMED TO HAVE REAFFIRMED THE REPRESENTATIONS, WARRANTIES AND COVENANTS SET FORTH IN THIS SECTION 18 EACH TIME IT EXECUTES ANY SCHEDULE. IF YOU BREACH ANY REPRESENTATION, WARRANTY OR COVENANT CONTAINED IN THIS MASTER LEASE AND, AS A RESULT OF SUCH BREACH, THE INTEREST PORTION OF ANY LEASE PAYMENT BECOMES INCLUDEABLE IN GROSS INCOME OF ANY OWNER THEREOF FOR FEDERAL INCOME TAX PURPOSES, YOU SHALL PAY US PROMPTLY AFTER SUCH DETERMINATION OF TAXABILITY AND ON EACH LEASE PAYMENT DUE DATE THEREAFTER, AN ADDITIONAL AMOUNT DETERMINED BY US TO COMPENSATE US FOR THE LOSS OF SUCH EXCLUDABILITY (INCLUDING, BUT NOT LIMITED TO, COMPENSATION RELATING TO INTEREST EXPENSE, PENALTIES OR ADDITIONS TO TAX), WHICH DETERMINATION SHALL BE CONCLUSIVE ABSENT MANIFEST ERROR.

19. CHOICE OF LAW. This Master Lease shall be governed by the internal laws (as opposed to conflicts of law provisions) of the State where the Equipment is located. If any provision of this Master Lease or any Equipment or Payment Schedule shall be prohibited by or invalid under that law, such provision shall be inoperative only to the extent of such prohibition or invalidity, without invalidating the remainder of such provision or the remaining provisions of this Master Lease or any Equipment or Payment Schedule. This Master Lease inures to the benefit of and is binding upon the permitted successors or assigns of yours and ours.



Schedule to Master State & Local Government Lease Agreement

This Schedule No. 1308065 (the "Schedule") to Master State & Local Government Lease Agreement No. 1146322 (the "Master Agreement") contains the terms of your agreement with us. Please read it carefully and ask us any questions you may have. The words you, your and lessee mean you, our customer. The words we, us, our and the lessor, mean Lenovo Financial Services.

Product/Equipment Description

Quantity	Description	Product/Equipment Address
9	Lenovo/Lenovo ThinkPad T540P	123 West Collin St, Corsicana, TX 75110
9	Lenovo/Lenovo UltraDock 90W	123 West Collin St, Corsicana, TX 75110
9	Microsoft/MS Office Home & Business '13	123 West Collin St, Corsicana, TX 75110

For additional equipment and accessories, attach addendum.

Purchase Option

If no box is checked or if both boxes are checked, the Fair Market Value purchase option will apply:

- Fair Market Value
- \$1.00 Purchase Option Other _____

Term and Lease

Lease Payment \$652.10 (plus taxes, if applicable)
 Term (Months) 36
 Payment Frequency Monthly

Variable Payment Schedule if applicable:
(Attach "Payment Schedule Addendum" if necessary)

Payments are due in Arrears

Documentation Fee: \$75.00 (due with first invoice)

Additional Provisions:
N/A

PLEASE NOTE: Certain state and local government lessees must sign an additional addendum document.

LESSOR: **Lenovo Financial Services**
 10201 Centurion Parkway N. #100
 Jacksonville, FL 32256

 Authorized Signature Date Signed

 Printed Name

 Print Title

Lessee

Navarro, County of
Lessee Legal Name

Lessee "Doing Business As" Name
800 North Main Street
 Billing Street Address
Corsicana, TX 75110
 Billing City, State, Zip
903-654-3040
 Billing Contact Name & Phone No.

Lessee Phone Number (if different from above)

TERMS AND CONDITIONS BY SIGNING THIS SCHEDULE:

BY SIGNING THIS SCHEDULE: (i) YOU ACKNOWLEDGE THAT YOU HAVE READ AND UNDERSTAND THE TERMS AND CONDITIONS ON THIS SCHEDULE AND THE MASTER AGREEMENT; (ii) YOU AGREE THAT IF A COPY OF THIS SCHEDULE IS SIGNED BY YOU AND IS DELIVERED TO US BY FACSIMILE TRANSMISSION OR OTHERWISE, TO THE EXTENT ANY PROVISIONS ARE MISSING OR ILLEGIBLE OR CHANGED (AND NOT INITIALED BY BOTH YOU AND US), THE TERMS AND CONDITIONS OF THIS SCHEDULE AND THE MASTER AGREEMENT IN USE ON THE DATE WE RECEIVE THE COPY SIGNED BY YOU WILL BE THE TERMS AND CONDITIONS OF THE SCHEDULE. (iii) YOU AGREE THAT THIS SCHEDULE IS A NET LEASE THAT YOU CANNOT TERMINATE OR CANCEL EXCEPT AS SPECIFICALLY PROVIDED IN THE MASTER AGREEMENT, YOU HAVE AN UNCONDITIONAL OBLIGATION TO MAKE ALL PAYMENTS DUE UNDER THIS SCHEDULE, AND YOU CANNOT WITHHOLD, SET OFF OR REDUCE SUCH PAYMENTS FOR ANY REASON; (iv) YOU AGREE THAT YOU WILL USE THE EQUIPMENT ONLY FOR BUSINESS PURPOSES, (v) YOU WARRANT THAT THE PERSON SIGNING THIS LEASE FOR YOU HAS THE AUTHORITY TO DO SO; (vi) YOU CONFIRM THAT YOU DECIDED TO ENTER INTO THIS SCHEDULE RATHER THAN PURCHASE THE EQUIPMENT FOR THE TOTAL CASH PRICE, AND (vii) YOU AGREE THAT THIS LEASE WILL BE GOVERNED BY THE LAWS OF THE STATE WHERE THE EQUIPMENT IS LOCATION. YOU CONSENT TO THE JURISDICTION OF ANY COURT LOCATED WITHIN THAT STATE. YOU AND WE EXPRESSLY WAIVE ANY RIGHTS TO A TRIAL BY JURY.

LESSEE SIGNATURE

Navarro, County of
 Lessee Legal Name

X [Signature] X 9-14-15
 Authorized Signature Date Signed

X H.M. DAVENTPORT, Jr.
 Print Signer's Name

Navarro County Judge
 Print Signer's Title

75-6001092
 Federal Tax ID Number

**State and Local Government
Lease Addendum (Texas)**

CUSTOMER INFORMATION	Lessee Name County of Navarro	Lease # 1308065
	Billing Street Address/City/State/Zip 800 North Main Street, Corsicana, TX 75110	


This Addendum supplements the provisions of the Lease Agreement identified by the Lease Number specified above ("Lease"). You and we make this Addendum an integral part of the Lease. Capitalized terms used in this Addendum that are not defined will have the meanings specified in the Lease. If there is any conflict between the Lease and this Addendum, then this Addendum will control and prevail.

1. **Funding Intent.** You reasonably believe that funds can be obtained sufficient to make all Lease Payments and other payments during the term of this Lease. You affirm that funds to pay Lease Payments and other payments under this Lease are available for your current fiscal year. You and we agree that your obligation to make Lease Payments under this Lease will be your current expense and will not be interpreted to be a debt in violation of applicable law or constitutional limitations or requirements. Nothing contained in this Lease will be interpreted as a pledge of your general tax revenues, funds or moneys. This Section 1 is added as an additional sequentially numbered section to the Lease entitled "Funding Intent".

2. **Nonappropriation of Funds.** If sufficient funds are not appropriated and budgeted by your governing body in any fiscal year for Lease Payments or other payments due under this Lease, this Lease will terminate as of the last day of your

fiscal year for which funds for Lease Payments are available. You will give us written notice within fifteen (15) days of the occurrence of such nonappropriation. Such termination is without any expense or penalty, except for the portions of the Lease Payments and those expenses associated with your return of the Equipment in accordance with Section 3 of this Lease for which funds have been budgeted and appropriated or are otherwise legally available. You agree that, to the extent permitted by law, (x) you will not terminate this Lease if any funds are appropriated by you or to you for the acquisition or use of equipment or services performing similar functions to the Equipment during your fiscal year in which such termination would occur and (y) you will not spend or commit funds for the acquisition or use of equipment or services performing functions similar to the Equipment until the fiscal year following the fiscal year for which funds were first not available for the Lease Payments. This Section 2 is added as an additional sequentially numbered section to the Lease entitled "Nonappropriation of Funds".

3. **Choice of Law.** Regardless of any conflicting provisions in this Lease, **THIS LEASE WILL BE GOVERNED BY THE LAWS OF THE STATE OF TEXAS.** Legal jurisdiction for any conflict or dispute arising from said lease shall be had in **Navarro County, Texas.**

Lessee: 
 Authorized Signature
 H. M. DAVENPORT, Jr. NAVARRO CO. JUDGE
 Print Name & Title
 9-14-15
 Date

Lessor **Lenovo Financial Services**
 Authorized Signature

 Print Name & Title

 Date

CERTIFICATE OF APPROPRIATIONS
(State and Local Government Master Lease Agreement)

I, H. M. DAVENPORT do hereby certify that I am the duly elected or appointed and acting County Judge of Navarro, County of ("Lessee"); that I have custody of the financial records and budget information of such entity; that monies for all lease payments to be made under that certain State and Local Government Lease Agreement #1308065 or that certain Master State and Local Government Master Agreement #1146322 and, Schedule Number(s) 0, between Lessee and Lenovo Financial Services as lessor ("Agreement"), for the fiscal year ending _____, 2015, are available from unexhausted and unencumbered appropriations and/or funds within Lessee's budget for such fiscal year, and that appropriations and/or funds have been designated for the payment of those lease payments that may come due under the Agreement in such fiscal year.

IN WITNESS WHEREOF, I have duly executed this Certificate of Appropriations this 14 day of SEPT, 2015.

Signature

Print Name & Title

The undersigned official of Lessee hereby certifies that the signature set forth above is the true and authentic signature of the individual identified above and that such individual holds the title set forth above.

Signature

Print Name & Title

CERTIFICATION OF ESSENTIAL USE

RE: Schedule to Master State & Local Government Lease Agreement #1308065, dated _____, 2015 (each individually, hereinafter the "Agreement") by and between Lenovo Financial Services ("Lessor") and Navarro County of ("Lender")

Ladies and Gentlemen:

This letter confirms and affirms that the Equipment described in the Agreement identified above is/are essential to the function of the undersigned or to the service we provide to our citizens.

Further, we have an immediate need for, and expect to make immediate use of, substantially all such Equipment, which need is not temporary or expected to diminish in the foreseeable future. Such Equipment will be used by us only for the purpose of performing one or more of our governmental or proprietary functions consistent with the permissible scope of our authority. Specifically, such Equipment was selected by us to be used as follows (please include any specific department that may be its primary user):

The Navarro County District Clerks office for CMS, JMS and all other electronic process.

Is the Equipment additional or new technology to the department, or does it constitute a continuation of your existing technology? new

Our source of funds for payments due under the Agreement for the current fiscal year is 2016- Annual county budget

We expect and anticipate adequate funds to be available for all future payments of rent due after the current fiscal year for the following reasons: pro rata taxes collected

LESSEE: Navarro County of

By: [Signature]
(Authorized Signature)

Joshua B. Tackett, District Clerk
(Name and Title - printed or typed)

Date: 9-15-15



DELIVERY & ACCEPTANCE CERTIFICATE

By signing this Certificate, you, the Lessee identified below, agree:

- A) That all products described in the State & Local Government Lease Agreement or the Schedule to Master State & Local Government Lease Agreement identified below ("Equipment") have been delivered, inspected, installed and are unconditionally and irrevocably accepted by you as satisfactory for all purposes of the State & Local Government Lease Agreement or Schedule to Master State & Local Government Lease Agreement; and
- B) That we, Lenovo Financial Services, are authorized to purchase the Equipment and start billing you under the State & Local Government Lease Agreement or Schedule to Master State & Local Government Lease Agreement.

State & Local Government Lease Agreement or Schedule No. 1308065

Customer Name: Navarro, County of

Authorized Signature

X  District Clerk 9-15-15

Title

Date

DAVID L. B.

Blank
on
Purpose

ELECTRONIC DEBIT AGREEMENT/ AUTHORIZATION

The undersigned Navarro, County of ("Customer"), directly or by it's representative, authorizes Lenovo Financial Services, its agents and assigns (collectively, "Creditor), to initiate debit entries and to initiate, if necessary, adjustments for any debit entries to Customer's account, as identified below (or on the attached voided check) (The "Account"), relating to Customer's obligations owed to Creditor under either a lease agreement, master lease agreement and schedules, cost per copy agreement, conditional sales agreement, promissory note or security agreement hereinafter (the "Agreement") and hereunder. Customer acknowledges that this authorizes debits for rental, cost per copy or installment payments, applicable taxes (and any increase therein), and any other amount due under the Agreement.

Should funds not be available to Creditor from the Account when a payment is due under The Agreement, Customer agrees to pay Creditor a \$25 administration fee (together with any late Charges payable under the Agreement) for every unsuccessful debit attempt. Customer, furthermore, agrees that this authorization shall remain in full force and effect until 30 days after Customer has provided Creditor written notice of Customer's intention to close the Account or terminate this debiting authorization. After 30 days written notice written to Customer, Creditor may terminate availability of electronic debits as a payment method of the Customer's Obligations under the agreement.

Customer Name

Bank Name/ Branch

Signature of Authorized Representative

Bank Location City/ State/ Zip

Printed Name of Representative

9 Digit ABA Number/ Account Number

ATTACH COPY OF A VOIDED CHECK BELOW

1566

DEAN THEDFORD OFFICE SUPPLY
123 WEST COLLIN P.O. BOX 94
CORSICANA, TEXAS 75151

August 7, 2015

Joshua Tackett
Navarro County District Clerk
800 North Main Street
Corsicana, Texas 75110

Re: Computer Lease Proposal

\$ 17980.11 Hardware

Qty 9 Thinkpad T550 Intel Core i7-4600M Processor (4MB Cache, up to 3.60GHz) Windows 7 Professional 64 English
14.0 or 15.5" FHD (1920 x 1080), Mobile Broadband Ready • NVIDIA GeForce GT 730M 1GB 16GB PC3-12800 DDR3L (2 DIMM) • Keyboard Backlit - US English • Fingerprint Reader • 720p HD Camera • 240GB Solid State Drive Serial ATA3 OPAL2.0 • DVD Recordable 9 Cell Li-Ion Battery • 80W AC Adapter - AG • Intel Single Band Wireless 7260BN with Bluetooth 4.0 • Integrated Mobile Broadband upgradable • Publication - US English • 3YR Depot Warranty
Qty 9 Lenovo Ultra Dock

\$ 2429.91 Software

Qty 9 Microsoft Office Home & Business 2013/Adobe Acrobat XI Standard

\$ 20410.02 Total Hardware & Software

Lease Option 36 Months @ \$ 652.10 - \$ 1 Buyout

Quoted by: Kevin Thedford dtos123@aolmail.net
903-874-6594

Accepted by:

 8-11-15
Date

Title: Navarro County District Clerk

Contact Number: 903-654-3040 Email: ~~JoshuaTackett@navarrocounty.org~~
jtackett@navarrocounty.org

Legal Company Name: Navarro County District Clerk
Address: 800 North Main Street
City/State/Zip: Corsicana, Texas 75110

1567

Joshua Tackett					
Navarro County District Clerk Lease vs Purchase Proposal					
			Monthly Payment	Unit Price	Extd Price
Qty 9	Lenovo Laptops	w/16GB Ram as per Specifications		\$ 1,738.79	\$ 15,649.11
Qty 9	Lenovo Ultra Dock			\$ 259.00	\$ 2,331.00
Qty 9	Microsoft Office Home & Business 2013	w/Adobe Acrobat XI Standard		\$ 269.99	\$ 2,429.91
Qty 9	Total Purchase Price			\$2,267.78	\$20,410.02
	Includes Laptops/ Dock/ Office Home & Business 2013/Adobe Acrobat XI Standard				
The \$ 1 Buy Out Lease is designed for Clients planning to keep the equipment at the end of the lease.					
\$1 Out	36 Months	\$ 1.00 Buy Out Lease		\$652.14	\$23,477.04
	Your End of Lease Options Are:				
*1	Purchase the Equipment for \$ 1.00, or				
*2	Continue to Lease the equipment for your regular monthly payment, or				
*3	Renew the lease for a specified time, or				
*4	Return the equipment to the lessor				
Dean Thedford Office Supply			Lease Requirements:		
123 West Collin			Lenovo Financial Services Requires a Documentation Fee in the Amount of		\$75.00
Corsicana, Texas 75110			Equipment is also required to be Insured for the lease term.		Page 2 of 2

#21

1568

TEXAS COMMISSION ON JAIL STANDARDS

EXECUTIVE DIRECTOR
Brandon S. Wood



P.O. Box 12985
Austin, Texas 78711
Voice: (512) 463-5505
Fax: (512) 463-3185
<http://www.tcjs.state.tx.us>
info@tcjs.state.tx.us

August 31, 2015

The Honorable Hershell Davenport
County Judge, Navarro County
300 West 3rd Ave., Ste. 102
Corsicana, Texas 75110

and

Sheriff Elmer Tanner
Sheriff, Navarro County
312 W. 2nd Ave.
Corsicana, Texas 75110

Dear Judge Davenport and Sheriff Tanner:

On September 1, 2015, HB549 by Rep Eric Johnson will become effective and prohibit counties from utilizing video visitation only at county jails. The Commission on Jail Standards is responsible for adopting administrative rules to address this new requirement and enforce this new law. Each county that had video visitation in place at the time the bill was allowed to pass into law on June 22, 2015 was contacted in order to determine if they met the criteria for exemption as contained in HB549.

Based upon the information submitted by your county, it has been determined that Navarro County is exempt and will be "grandfathered" at this time. Please retain a copy of this letter for your records and if you have any questions, please contact my office.

Respectfully,

B S Wood
Brandon S. Wood

FILED FOR RECORD
AT _____ O'CLOCK _____ M.

SEP 08 2015

SHERRY DOWD
COUNTY CLERK NAVARRO COUNTY, TEXAS
BY _____ DEPUTY

Stanley D. Egger, Abilene, Vice Chair
Irene A. Armendariz, Austin
Jerry W. Lowry, New Caney

Sheriff Dennis D. Wilson, Groesbeck
Sheriff Gary Painter, Midland

Dr. Michael M. Seale, M.D., Houston
Larry S. May, Sweetwater
Allan D. Cain, Carthage

1569

#22

Bryan W. Shaw, Ph.D., P.E., *Chairman*
Toby Baker, *Commissioner*
Richard A. Hyde, P.E., *Executive Director*



TEXAS COMMISSION ON ENVIRONMENTAL QUALITY

Protecting Texas by Reducing and Preventing Pollution

August 7, 2015

*Record needs 3 members
to APP*

**CERTIFIED AND
REGULAR MAIL**

**Navarro County LID No. 10
PO Box 1321
Corsicana, Texas 75110**

**Re: Financial Report and Filing Affidavit past due for
Navarro County Levee Improvement District No. 10,
RN101253797, CN600688147**

To the Board of Directors:

During the month of July, 2015, a representative of the Texas Commission on Environmental Quality (TCEQ) conducted a record review of the Navarro County Levee Improvement District No. 10 (District) to evaluate compliance with applicable reporting requirements.

During the record review, it was noted that District did not submit a copy of the District's financial report to the Executive Director of the TCEQ for filing for the fiscal year ending 1996 to present within the deadline for filing dormancy, which is on or before January 31 of each year. In addition, the record review indicated that the Districts has not filed a District registration form (TCEQ form 0179).

Please be advised that most water districts are required to have their fiscal accounts and records audited annually, pursuant to TEX. WATER. CODE § 49.191 and are required to submit a copy of the audit report and an annual filing affidavit, stating that all copies of the annual audit report, annual financial dormancy affidavit or annual financial report have been filed pursuant to TEX. WATER. CODE § 49.194. A district that fails to comply with the filing provisions may be subject to a civil penalty of up to One Hundred Dollars (\$100) per day for each day that the district willfully continues to violate these provisions after receipt of written notice of violation from the Executive Director of the TCEQ by certified mail, return receipt requested, pursuant to TEX. WATER. CODE § 49.003. The Executive Director of the TCEQ is required to file with the attorney general the names of any districts that do not comply with the provisions of TEX. WATER. CODE, ch. 49, subchapter G pursuant to TEX. WATER CODE § 49.194(f).

Please submit, no later than **September 08, 2015**, a signed copy of the District's audit report and filing affidavit, annual financial report and filing affidavit, or annual dormancy affidavit. The audit report and annual financial report must be accompanied by a signed annual filing affidavit. The submittal may be by .pdf file through email to plandist@tceq.texas.gov, attention District Oversight, or hardcopy by mail to TCEQ Water Supply Division, MC 152, P.O. Box 13087, Austin, TX 78711-3087.

JACOBSON LAW FIRM, P.C.

A Professional Corporation
ATTORNEYS AT LAW
733 West Second Avenue
Corsicana, Texas 75110
903-874-7117
(Fax) 903-874-7321

Terry Jacobson
tljacobson@sbcglobal.net

August 25, 2015

Beatriz Flores
TCEQ
P. O. Box 13087
Austin, Texas 78711-3087

Re: Navarro County Levee Improvement District No. 10; RN101253797; CN600688147

Dear Beatriz:

Thank you for taking the time to speak with me today regarding the above referenced Levee Improvement District. As I told you, from time to time I do legal work on behalf of the Navarro County Commissioner's Court. The purpose of this letter is to advise you of the steps the Commissioner's Court is taking to deal the Levee Improvement District. As I indicated to you, I don't believe that any of the Board members previously appointed are still alive, or functioning. Furthermore, we have been unable to located records that disclose who those directors were. I do know from personal knowledge that some of the people who in the past signed the affidavits regarding lack of financial activity have now passed away.


At its next meeting, the Commissioner's Court will appoint three Directors to serve as Board Members for the Navarro County Levee Improvement District No. 10. Thereafter, the Commissioner's Court will ask the Board to execute the appropriate affidavit regarding lack of financial activity and will also ask the Board to determine whether it believes that any public purpose is served by the Levee Improvement District continuing to exist. I estimate it will take thirty to sixty days after the new Board is appointed to answer that question. If the answer is No, the Navarro County and the District will begin to take the appropriate legal steps to dissolve the District. If the answer is Yes, then we will have a functioning Board, with new Board members who can make sure that the appropriate paperwork is filed with TCEQ at all appropriate times.

I hope this plan is satisfactory to you. As I indicated in our letter, we probably won't have a dormancy affidavit to you by September 8th, but we should have one to you fairly soon thereafter. In addition, we should have some vision on a going forward basis regarding whether the District needs to continue to exist.

Beatriz Flores
TCEQ
August 25, 2015
Page 2

If you have any questions, please feel free to contact me.

Very truly yours,



Terry Jacobson

TJ:sj

cc: Justin Taack, Manager
TCEQ
P. O. Box 13087
Austin, Texas 78711-3087

Beatriz Flores
TCEQ
August 25, 2015
Page 3

bcc: H. M. Davenport, County Judge
Navarro County Courthouse
800 North Main Street
Corsicana, TX 75110

26

1573

RESOLUTION NO. 2015-16

A RESOLUTION OF THE COUNTY OF NAVARRO, TEXAS, AUTHORIZING THE COUNTY JUDGE TO REQUEST INCLUSION IN ELLIS COUNTY FREE TRADE ZONE NO. 113.

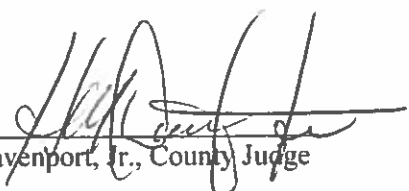
WHEREAS, the County has determined some companies can benefit from inclusion in a free trade zone; and

WHEREAS, it is economically beneficial to the County to join Ellis County Free Trade Zone No. 113; and

WHEREAS, Ellis County Free Trade Zone has agreed to provide administrative services to Navarro County companies.

NOW, THEREFORE, BE IT RESOLVED BY THE COMMISSIONERS COURT OF THE COUNTY OF NAVARRO, TEXAS that the County Judge is hereby authorized to request inclusion in Ellis County Free Trade Zone No. 113.

PASSED and APPROVED on this the 14th day of September, 2015.



H. M. Davenport, Jr., County Judge

ATTEST:



Sherry Dowd, County Clerk



Print this Page

Why Manufacturing and Processing Companies use Foreign-Trade Zones

All of the benefits the Foreign-Trade Zones program can offer manufacturers and processors located in the United States are too numerous to list here. But, there are a few main benefits that account for most of the companies that use the Zones program. Those benefits are listed below:

- **Relief from inverted tariffs**—In certain instances, there are tariff (import duty) relationships that actually penalize companies for making their product in the United States. This occurs when a component item or raw material carries a higher duty rate than the finished product. Hence, the importer of the finished product pays a lower duty rate than a manufacturer of the same product in the United States. This gives the importer an unfair and unintended advantage over the domestic manufacturer. The Foreign-Trade Zones program levels the playing field in these circumstances.

FOR EXAMPLE: A Foreign-Trade Zone user imports a motor (which carries a 4% duty rate) and uses it in the manufacture of a vacuum cleaner (which is free of duty). When the vacuum cleaner leaves the FTZ and enters the commerce of the U.S., the duty rate on the motor drops from the 4% motor rate to the free vacuum cleaner rate. By participating in the Zones program, the vacuum cleaner manufacturer has virtually eliminated duty on this component, and therefore reduced the component cost by 4%.

- **Duty exemption on re-exports**—Without a zone, if a manufacturer or processor imports a component or raw material into the United States, it is required to pay the import tax (duty) at the time the component or raw material enters the country. However, a Foreign-Trade Zone is considered to be outside the commerce of the United States and the U.S. Customs territory. So, when foreign merchandise is brought into a Foreign-Trade Zone, no Customs duty is owed until the merchandise leaves the zone and enters the commerce of the United States. Only then is the merchandise considered imported and the duty paid. If the imported merchandise is exported back out of the country, no Customs duty is ever due.
- **Duty elimination on waste, scrap, and yield loss**—Again, without a zone, an importer pays the Customs duty owed as material is brought into the United States. This is because the material is considered imported at this point. If the processor or manufacturer is conducting its operations within a zone environment, the merchandise is not considered imported, and therefore no duty is owed until it leaves the zone for shipment into the United States. To demonstrate how this would benefit a company that has scrap, waste, or yield loss from an imported component, let's look at a chemical processing plant.

FOR EXAMPLE: A chemical plant manufacturing hydroxywidgitpropolyne, which carries a 15% duty rate, uses the raw material oxyovertaxophene, which also carries a 15% duty rate, for one of its raw materials. Part of the production process consists of bringing the imported oxyovertaxophene to extreme temperatures. During this process 30% of the oxyovertaxophene is lost as heat. If a processing company not in the Zones program imports \$10,000,000 per year of oxyovertaxophene, it will pay \$1,500,000 in duty as the raw

material enters the United States.

If the same company utilizes the zones program, it does not pay duty on the oxyovertaxophene until it leaves the zone and is imported into the United States. The zone user brings the oxyovertaxophene into the zone with no duty owed. It then processes the oxyovertaxophene into hydroxywidgitpropolyne. Remember, during this process 30% of the raw material is lost due to waste factors, so the \$10,000,000 in oxyovertaxophene is now worth only \$7,000,000. Assuming all of the end product is sold into the United States, the 15% Customs duty totals only \$1,050,000. This represents a savings of \$450,000.

While at first glance it might look like the Zones program is simply benefiting an importer, it is important to remember that its competitors making the same product overseas already have the benefit of not having to pay on the yield loss in the production of their hydroxywidgitpropolyne.

- **Duty Deferral**—Again, since Foreign-Trade Zones are outside the Customs territory of the United States, goods are not imported until they leave the zone. Therefore, Customs duty is deferred until merchandise is imported from a Foreign-Trade Zone into the United States. So, instead of companies having substantial monies tied up in Customs duties on their inventory, they have use of that money for other purposes.

There are many other substantial benefits that the Zones program has to offer manufacturers in the United States, but the benefits listed are the key benefits that attract most companies to the Zones program. More and more companies look globally when deciding to locate or expand a new manufacturing or processing facility. When these companies make these location and expansion decisions, they do take into account all costs of manufacturing in a certain country. Unfortunately, there are unintended import tax penalties for many companies located in, or considering locating in, the United States. The Foreign-Trade Zones program plays an important role in providing a level playing field when investment and production decisions are made. While the U.S. government might incur a reduction in Customs duty revenue by the use of the Zones program, it more than makes up for it by the income tax it gains from the jobs created or retained. In addition, local governments benefit from sales and property taxes.

The Foreign-Trade Zones program has proven to be a successful trade program by consistently creating and retaining jobs and capital investment in the United States.

[to top](#)

What Are the Benefits of a Free Trade Zone?

By Scott Krohn
eHow Contributor

Last updated July 16, 2015



Free trade zones, also referred to as *foreign trade zones*, are designated areas where finished goods and raw materials can be purchased, sold, manufactured, imported and exported without the barriers to trade that are ordinarily imposed by customs authorities. Free trade zones are commonly located in close proximity to airports, seaports and national borders. The absence of intervention and regulation by customs authorities in these zones offers several distinct benefits for consumers, businesses, manufacturers, importers and exporters.

Other People Are Reading



Free Trade Advantages



Disadvantages of Free Trade Agreements

Elimination of Import/Export Duties

The elimination of export duties allows goods and materials to be imported to the zones and then exported without being taxed. For example, raw materials or components could be shipped to a manufacturer located in the free trade zone without incurring customs duties. The manufacturer then incorporates the materials or components in the building of finished products. The products can then be exported without being taxed.

Duty Deferral

Free trade zones allow goods to be imported and stored without being charged customs duties. Instead, taxes are charged when the goods move from the free trade zone into areas of the host country where customs duties are imposed. The deferral of duties allows businesses to manage cash flow by paying taxes on goods as they are shipped out of the free trade zone rather than paying duties in a lump sum when goods arrive.

Lower Quota-Based Tariffs

Quota-based tariffs typically increase tax rates as more goods enter a country over a specified period. For example, a country with a quota on widgets could set a lower tax rate on the first 10,000 units to enter the country in a given period. It could then impose a higher tariff rate on every imported widget in excess of that quota. Free trade zones, which allow for indefinite storage of goods without charging customs duties, allow goods to be shipped without the worries of exceeding quotas. Companies can store goods and then transfer them when tariff rates are reset to their lowest levels at the beginning of a new quota period.

Lower Duty Payments

An *inverted tariff* applies when standard customs duties charged on raw materials used in manufacturing are higher than duties on the resulting finished product. The higher cost structure resulting from inverted tariffs can put local manufacturers at a significant competitive disadvantage in relation to importers of finished products. In free trade

#28
HOLT.



1517

August 17, 2015

NAVARRO COUNTY PCT 3

300 W 3RD AVE
CORSICANA, TEXAS 75110-4872

Attention: BUTCH WARREN

HOLT CAT is pleased to quote (1) New Caterpillar 926M Wheel Loader equipped as follows from Buyboard.com.

MACHINE SPECIFICATIONS

926M WHEEL LOADER	430-2805
LANE 2 ORDER	0P-9002
PREP PACK, UNITED STATES	430-2943
HYD,2V,COUPLER READY,STD LIFT	430-2822
STEERING, STANDARD	430-2996
DIFFERENTIAL, OPEN REAR	333-6528
ENVIRONMENT, STANDARD	430-2855
WEATHER, STANDARD	430-2897
ENGINE AR	430-3038
CAB, DELUXE	423-7162
SEAT, DELUXE	423-7201
RADIO READY, BLUETOOTH,MIC,AUX	378-0951
PRODUCT LINK, CELLULAR PL641	454-0589
TIRES, 20.5R25 BS VJT * L3	357-8901
FENDERS, STANDARD	366-8148
COUNTERWEIGHT, HEAVY	348-2579
KIT,SERIALIZED TECHNICAL MEDIA	0P-2491
PACK, DOMESTIC TRUCK	0P-0210
QUICK COUPLER, FUSION	430-2977
CUTTING EDGE, BOLT ON, 4 PIECE	345-2758
BUCKET 107.4" 3.2YD3	345-2784
CARRIAGE, 54" PALLET FORKS	

1578

Sale Price (Bid Price)	145,000.00
Trade In 1987 Caterpillar 926 Loader SN# 94Z02044	11,000.00
Trade Difference	134,000.00

WARRANTY

Standard Warranty: 1 Year (12 Month) Machine
Extended Warranty: 3 Year or 5,000 Hour Powertrain and Hydraulic

**F.O.B/TERMS: Navarro County Pct #3 Barn. Cash on receipt of invoice.
Delivery Approximately 30 Days After Receipt of Order.**

3 Year or 5,000 Hour Guaranteed Repurchase Amount : \$ 110,000

Thank You,



Kevin Kirk
Machine Sales Representative
Holt CAT
Kevin.Kirk@holtcat.com
254.709.7048

1579



Austin • Corpus Christi • Dallas • Fort Worth • Irving • Laredo • Longview • San Antonio • Nash •
Tyler • Victoria • Waco • Weslaco
Budgetary Proposal

08/06/2015

NAVARRO COUNTY
ATTN BUTCH WARREN
300 W 3RD AVE STE 204
CORSICANA 75110-4672

NEW CATERPILLAR 926M WHEEL LOADER

MACHINE SPECIFICATIONS

Description Holt Cat is pleased to propose (1) New Caterpillar 926M Wheel Loader equipped as follows
From Buyboard.com.

NEW CATERPILLAR 926M WHEEL LOADER
HYDRAULICS, 2V, COUPLER READY, STANDARD LIFT
STANDARD STEERING
DIFFERENTIAL, OPEN REAR
STANDARD ENVIRONMENT
STANDARD WEATHER
DELUXE CAB
DELUXE SEAT
RADIO READY, BLUETOOTH, MIC, AUX
PRODUCT LINK, CELLULAR, PL 641
TIRES, 20.5R25, BS VJT, L3
STANDARD FENDERS
HEAVY COUNTERWEIGHT
SERIALIZED TECHNICAL MEDIA KIT
FUSION QUICK COUPLER
CUTTING EDGE, 4 PIECE, BOLT ON
CARRIAGE, 54" PALLET FORKS
BUCKET, 3.2 CYD , 107.4" WIDE

Budgetary Sale Price

\$ 145,000

3 year tax

WARRANTY

*\$10,000 tilt + red \$15,000 vacaly
total 1,858.49 on 3yr term*

Standard 12 Month Machine. Cat Insurance 3 year or 5,000 hour Powertrain and Hydraulic.
Travel and/or Mileage charges are not part of warranty, but are covered the first 90 days.

F.O.B./TERMS

County Barn . Cash on receipt of invoice or financing available with Cat Financial.

Your Caterpillar dealer from the Red River to the Rio Grande
Call 1-800-275-4658 for the HOLT CAT store nearest you, or visit our website
WWW.HOLTCAT.COM

HOLT®



Austin • Corpus Christi • Dallas • Fort Worth • Irving • Laredo • Longview • San Antonio • Nash •
Tyler • Victoria • Waco • Weslaco
Budgetary Proposal

08/06/2015

NAVARRO COUNTY
ATTN BUTCH WARREN
300 W 3RD AVE STE 204
CORSICANA 75110-4672

NEW CATERPILLAR 926M WHEEL LOADER

MACHINE SPECIFICATIONS

Description Holt Cat is pleased to propose (1) New Caterpillar 926M Wheel Loader equipped as follows
From Buyboard.com.

NEW CATERPILLAR 926M WHEEL LOADER
HYDRAULICS, 2V, COUPLER READY, STANDARD LIFT
STANDARD STEERING
DIFFERENTIAL, OPEN REAR
STANDARD ENVIRONMENT
STANDARD WEATHER
DELUXE CAB
DELUXE SEAT
RADIO READY, BLUETOOTH, MIC, AUX
PRODUCT LINK, CELLULAR, PL. 641
TIRES, 20.5R25, BS VJT, L3
STANDARD FENDERS
HEAVY COUNTERWEIGHT
SERIALIZED TECHNICAL MEDIA KIT
FUSION QUICK COUPLER
CUTTING EDGE, 4 PIECE, BOLT ON
CARRIAGE, 54" PALLET FORKS
BUCKET, 3.2 CYD , 107.4" WIDE

Budgetary Sale Price

\$ 145,000

WARRANTY

Standard 12 Month Machine. Cat Insurance 3 year or 5,000 hour Powertrain and Hydraulic.
Travel and/or Mileage charges are not part of warranty, but are covered the first 90 days.

F.O.B./TERMS

County Barn . Cash on receipt of invoice or financing available with Cat Financial.

Your Caterpillar dealer from the Red River to the Rio Grande
Call 1-800-275-4658 for the HOLT CAT store nearest you, or visit our website
WWW.HOLTCAT.COM



Cat® 926M

WHEEL LOADER

M SERIES – MAKING YOUR CHOICE EASY:

- Enjoy All Day Comfort** – Have a seat in the new M Series Small Wheel Loader and enjoy automatic temperature control, class leading sound levels, excellent all around visibility and low-effort joystick controls that move with you on a fully adjustable seat suspension. A large spacious operator environment combined with Caterpillar's exclusive hydraulic cylinder damping and smooth predictable controls make this the most comfortable seat on your job site.
 - Work Made Easy** – Move more with Caterpillar's patented quick loading Performance Series buckets and optimized Z-bar linkage that combines the digging efficiency of a traditional Z-bar with tool carrier capabilities. The parallel lift and high tilt forces throughout the working range allow you to safely and confidently handle loads with precise control.
- Multi-function work has never been easier with dedicated pumps for each system and a flow sharing implement valve governed by an intelligent power management system. Simultaneously lift, steer and drive without compromise. The M Series Small Wheel Loader simply does what you ask it to do.

- Efficiently Powerful** – Experience hybrid like fuel efficiency with an intelligent hydrostatic power train and industry leading fuel savings through a lower maximum engine speed of just 1,600 rpm in Standard Mode. Power when you need it with Caterpillar's exclusive Power-by-Range technology that increases power in Range 4 for improved speed on grade. For your toughest and most demanding applications a new Performance Mode will allow you to boost the power and hydraulic speed in all ranges to get the job done even quicker. Meets U.S. EPA Tier 4 Final/EU Stage IV emission standards with a Cat® C7.1 ACERT™ engine that is designed to manage itself so you can concentrate on your work.
- Customize Your Experience** – Meet your application requirements and individual preferences with Caterpillar's industry first Hystat™ Operator Modes featuring four unique power train settings. Select classic Torque Converter for smooth rollout, conventional Hystat for aggressive engine braking, an Ice Mode that maximizes your control on slippery underfoot, or default mode which blends the best of Hystat and Torque Converter characteristics. Fine tune machine performance with adjustments at your fingertips through the soft touch buttons and optional secondary display. Quickly set hydraulic response along with linkage kick-out positions, maximum wheel torque, and peak ground speed to efficiently perform a multitude of tasks.

Specifications

Engine

Engine Model	Cat C7.1 ACERT			
Power Mode	Standard Mode		Performance Mode	
Speed Range	Range 1-3*		Range 1-4	
Maximum Gross Power				
Maximum Engine Speed	1,600 rpm		1,800 rpm	
ISO 14396	109 kW	146 hp	114 kW	153 hp
ISO 14396 (DIN)	109 kW	148 hp	114 kW	155 hp
Rated Net Power				
SAE J1349	1,600 rpm		1,800 rpm	
SAE J1349 at	105 kW	141 hp	110 kW	148 hp
Maximum Fan Speed	95 kW	127 hp	100 kW	134 hp
ISO 9249 (DIN)	106 kW	144 hp	111 kW	151 hp

Engine (continued)

	Standard Mode		Performance Mode	
Maximum Gross Torque				
ISO 14396	721 N-m	531 lbf-ft	721 N-m	531 lbf-ft
Maximum Net Torque				
SAE J1349	694 N-m	511 lbf-ft	694 N-m	511 lbf-ft
ISO 9249 (1977)/EEC 80/1269	702 N-m	517 lbf-ft	702 N-m	517 lbf-ft
Displacement	7.01 L	427 in³	7.01 L	427 in³

- Engine meets Tier 4 Final/Stage IV emission standards.
 - Net power shown is the power available at the flywheel when the engine is equipped with alternator, air cleaner and diesel exhaust filter.
- *Range 4 power is boosted to be the same as Performance Mode.



926M Wheel Loader

Buckets

Bucket Capacities – General Purpose	1.9-2.5 m ³	2.5-3.2 yd ³
Bucket Capacities – Light Material	3.1-5.0 m ³	4.0-6.5 yd ³

Steering

Steering Articulation Angle (each direction)	40°	
Maximum Flow – Steering Pump	130 L/min	34 gal/min
Maximum Working Pressure – Steering Pump	24 130 kPa	3,500 psi
Maximum Steering Torque:		
0 degrees (straight machine)	50 375 N·m	37,155 lbf-ft
40 degrees (full turn)	37 620 N·m	27,747 lbf-ft
Steering Cycle Times (full left to full right):		
At 1,800 rpm: 90 rpm steering wheel speed	2.4 seconds	
Number of Steering Wheel Turns – full left to full right or full right to full left	3.5 turns	

Loader Hydraulic System

Maximum Flow – Implement Pump	150 L/min	40 gal/min
3rd Function Maximum Flow*	150 L/min	40 gal/min
4th Function Maximum Flow*	150 L/min	40 gal/min
Maximum Working Pressure – Implement Pump	26 000 kPa	3,771 psi
Relief Pressure – Tilt Cylinder	28 000 kPa	4,061 psi
3rd Function Maximum Working Pressure	26 000 kPa	3,771 psi
4th Function Maximum Working Pressure	26 000 kPa	3,771 psi
Hydraulic Cycle Times:	Standard Mode	Performance Mode
	at 1,600 rpm	at 1,800 rpm
Raise (ground level to maximum lift)	6.2 seconds	5.5 seconds
Dump (at maximum lift height)	1.7 seconds	1.5 seconds
Float Down (maximum lift to ground level)	2.6 seconds	2.6 seconds
Total Cycle Time	10.5 seconds	9.5 seconds

*Adjustable from 20% to 100% of maximum flow through the secondary display, when equipped.

Service Refill Capacities

Fuel Tank	195 L	51.5 gal
Cooling System	30 L	7.9 gal
Engine Crankcase	20 L	5.3 gal
Transmission (gearbox)	8.5 L	2.2 gal
Axles:		
Front	21 L	5.5 gal
Rear	21 L	5.5 gal
Hydraulic System (including tank)	160 L	42.3 gal
Hydraulic Tank	90 L	23.8 gal
Diesel Exhaust Fluid (DEF) Tank	19 L	5 gal

- DEF used in Cat SCR systems must meet the requirements outlined in the International Organization for Standardization (ISO) standard 22241-1.

Transmission

Forward and Reverse:		
Range 1*	1-13 km/h	0.6-8 mph
Range 2	13 km/h	8 mph
Range 3	27 km/h	17 mph
Range 4	40 km/h	25 mph

*Creeper control allows maximum speed range adjustability from 1 km/h (0.6 mph) to 13 km/h (8 mph) in Range 1 through the secondary display, when equipped. Factory default is 7 km/h (4.4 mph).

Tires

Standard Size	20.5 R25, radial (L-3)	
Other Choices Include:	20.5 R25, radial (L-2)	17.5 R25, radial (L-2)
	20.5 R25, radial (L-5)	17.5 R25, radial (L-3)
	20.5-25 12PR (L-2)	17.5 R25, radial (L-5)
	20.5-25 12PR (L-3)	550/65 R25 radial (L-3)
	20.5-25 16PR (L-5)	Skidder/Agriculture Flexports Gen II

- Other tire choices are available. Contact your Cat dealer for details.
- In certain applications, the loader's productive capabilities may exceed the tire's tonnes-km/h (ton-mph) capabilities.
- Caterpillar recommends that you consult a tire supplier to evaluate all conditions before selecting a tire model.

Cab

ROPS	SAE J1040 MAY94, ISO 3471-1994
FOPS	SAE J/ISO 3449 APR98, Level II, ISO 3449 1992 Level II

- Cab and Rollover Protective Structures (ROPS) are standard in North America and Europe.
- The declared dynamic operator sound pressure levels per ISO 6396:2008*, when properly installed and maintained, are:
 - Standard cab: 68 ±3 dB(A)
 - Deluxe cab: 66 ±2 dB(A)

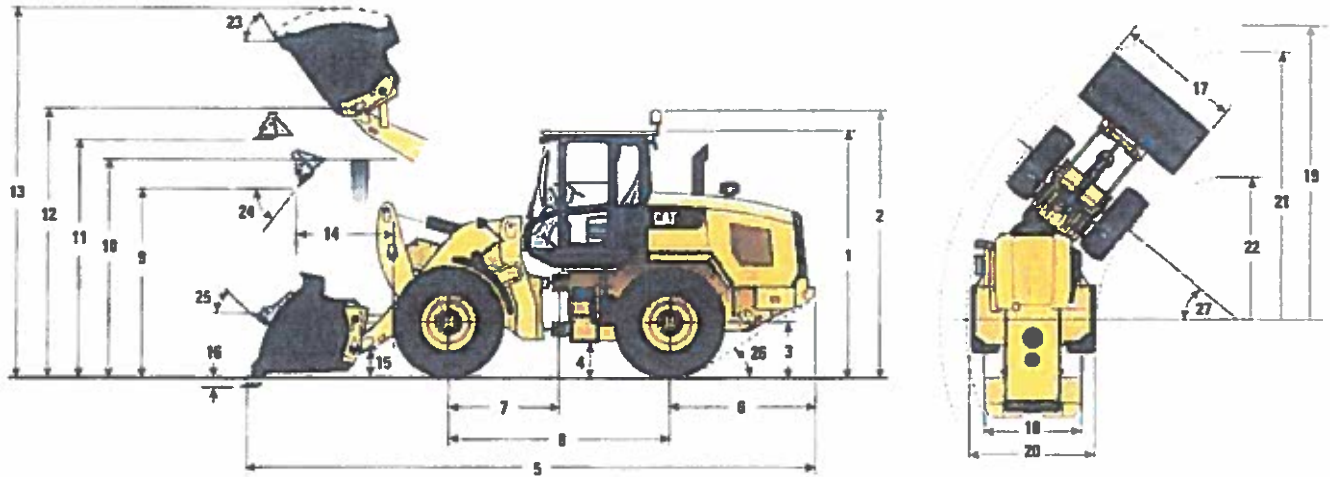
*The measurements were conducted with the cab doors and windows closed and at 70% of the maximum engine cooling fan speed. The sound level may vary at different engine cooling fan speeds.

Axles

Front	Fixed
	Locking differential (standard)
Rear	Oscillating ±11 degrees
	Open differential (standard)
	Limited slip differential (optional)

926M Wheel Loader

Dimensions and Operating Specifications (All dimensions are approximate. Dimensions vary with bucket and tire choice.)



	Standard Lift		High Lift	
** 1 Height: Ground to Cab	3340 mm	(10'11")	3340 mm	(10'11")
** 2 Height: Ground to Beacon	3669 mm	(12'0")	3669 mm	(12'0")
** 3 Height: Ground Axle Center	685 mm	(2'2")	685 mm	(2'2")
** 4 Height: Ground Clearance	397 mm	(1'3")	397 mm	(1'3")
* 5 Length: Overall	7451 mm	(24'5")	8093 mm	(26'6")
6 Length: Rear Axle to Bumper	1988 mm	(6'6")	1986 mm	(6'6")
7 Length: Hitch to Front Axle	1500 mm	(4'11")	1500 mm	(4'11")
8 Length: Wheel Base	3000 mm	(9'10")	3000 mm	(9'10")
* 9 Clearance: Bucket at 45 degrees	2885 mm	(9'5")	3378 mm	(11'0")
** 10 Clearance: Loadover Height	3330 mm	(10'11")	3550 mm	(11'7")
** 11 Clearance: Level Bucket	3580 mm	(11'8")	4073 mm	(13'4")
** 12 Height: Bucket Pin	3907 mm	(12'9")	4400 mm	(14'5")
** 13 Height: Overall	5076 mm	(16'7")	5569 mm	(18'3")
* 14 Reach: Bucket at 45 degrees	1024 mm	(3'4")	1261 mm	(4'1")
15 Carry Height: Bucket Pin	458 mm	(1'6")	649 mm	(2'1")
** 16 Dig Depth	100 mm	(3.9")	135 mm	(5.3")
17 Width: Bucket	2550 mm	(8'4")	2550 mm	(8'4")
18 Width: Tread Center	1930 mm	(6'3")	1930 mm	(6'3")
19 Turning Radius: Over Bucket	5924 mm	(19'5")	6234 mm	(20'5")
20 Width: Over Tires	2540 mm	(8'4")	2540 mm	(8'4")
21 Turning Radius: Outside of Tires	5402 mm	(17'8")	5402 mm	(17'8")
22 Turning Radius: Inside of Tires	2851 mm	(9'4")	2851 mm	(9'4")
23 Rack Angle at Full Lift	54 degrees		51 degrees	
24 Dump Angle at Full Lift	50 degrees		49 degrees	
25 Rack Angle at Carry	45 degrees		49 degrees	
26 Departure Angle	33 degrees		33 degrees	
27 Articulation Angle	40 degrees		40 degrees	
* Tipping Load – Straight (ISO 14397-1)	8792 kg	19,383 lb	6639 kg	14,637 lb
* Tipping Load – Full Turn (ISO 14397-1)	7530 kg	16,600 lb	5633 kg	12,419 lb
* Breakout	10 233 kg	22,538 lb	9714 kg	21,416 lb
* Operating Weight	13 037 kg	28,742 lb	13 316 kg	29,357 lb

*Vary with bucket.

**Vary with tire.

Dimensions listed are for a machine configured with 1.9 m³ (2.5 yd³) general purpose Fusion™ bucket, bolt-on cutting edge, heavy counterweights, additional guarding, 80 kg (176 lb) operator and Michelin 20.5 R25 (L-3) XHA2 tires.

926M Wheel Loader

STANDARD EQUIPMENT

POWER TRAIN

- Auto idle shut down feature
- Cat C7.1 ACERT engine
 - Power modes (Standard and Performance)
 - Power by range (High Power in Range 4)
 - Turbocharged and aftercooled
 - Filtered crankcase breather
 - Diesel particulate filter
 - Selective Catalyst Reduction
- Coded start (requires secondary display)
- Coolant protection to -34° C (-29° F)
- Enclosed wet disc full hydraulic brakes
- Fuel priming pump, automatic
- Hydraulically driven demand cooling fan
- Hydrostatic transmission with electronic control
 - Operator modes (Default, TC, Hystat, and Ice)
 - Directional Shift Aggressiveness (fast, medium, slow)
 - Rimpull control, adjust wheel torque
 - Creeper control, adjust ground speed
- Parking brake, electric
- Single plane cooling package wide six fins per inch density
- Throttle lock and max speed limiter

HYDRAULICS

- Automatic lift and bucket kickouts, adjustable in-cab
- Bucket and fork modes, adjustable in-cab
- Cylinder damping at kickout and mechanical end stops
- Fine mode control (fast, medium, slow) in fork mode
- Hydraulic response setting (fast, medium, slow)
- Hydraulic diagnostic connectors and S-O-SSM ports
- Load sensing hydraulics and steering

ELECTRICAL

- Alternator, 115 amp, heavy duty
- 12V power supply in cab (2)
- Batteries, 1,000 CCA (2) 24V system, disconnect switch
- Back-up alarm
- Emergency shutdown switch
- Halogen work and roading lights, LED rear tail lights
- Product Link™ PRO with three year subscription
- Remote jump start post
- Resettable main and critical function breakers

OPERATOR ENVIRONMENT

- 75 mm (3 in) retractable seat belt, with audible alarm and indicator
- Automatic temperature control
- External heated mirrors with lower parabolic
- Hydraulic control lockout
- Interior cab lighting, door and dome
- Interior rearview mirrors (2)
- Lunch box storage
- Radio ready speakers
- Rear window defrost, electric
- Seat-mounted electronic implement controls, adjustable
- Column mounted multi function control – lights, wipers, turn signal
- Tilt and telescopic steering wheel
- Tinted front glass
- Wet arm wiper/washer, 2-speed and intermittent, front

OTHER STANDARD EQUIPMENT

- Large-access enclosure doors with adjustable close/open force
- Parallel lift loader linkage

EU STANDARD EQUIPMENT

- Deluxe cab
- Secondary display
- Rearview camera

OPTIONAL EQUIPMENT

- Auto lube, integrated in secondary display
- Auxiliary flow, third and fourth function, adjustable through secondary display
- Beacon light, strobe
- Cab, deluxe (standard in Europe, optional in North America)
 - Electrically adjustable external heated mirrors (2)
 - Secondary display to enable features and adjust parameters
 - Sunscreen, front and rear
- Camera, rearview (standard in Europe)
- Cold start package
- Counterweight, (heavy and logger)
- Coupler, (Fusion and ISO 23727)
- Debris packages (low, medium, high)
- Fenders (extended cover and full coverage)
- Guarding (machine and operator)
- Linkage, high lift
- Lights, auxiliary, halogen or LED with engine compartment lights
- Object Detection
- Product Link ELITE with capabilities for software push, data logging, histogram and trend mapping
- Radio packages
- Ride Control System, adjustable through secondary display
- Seats
 - Deluxe seat – fully adjustable fabric air suspension seat with mid backrest and mechanical lumbar support
 - Premium seat – fully adjustable leather and fabric air suspension with high backrest and air lumbar support. Seat is heated and ventilated on bottom cushion and backrest.
- Steering
 - Dual mode and secondary
- NOTE: Not all features are available in all regions.

For more complete information on Cat products, dealer services, and industry solutions, visit us on the web at www.cat.com

AEHQ7361 (11-14)

© 2014 Caterpillar
All Rights Reserved
Printed in U.S.A.

Materials and specifications are subject to change without notice. Featured machines in photos may include additional equipment. See your Cat dealer for available options.

CAT, CATERPILLAR, SAFETY.CAT.COM, their respective logos, "Caterpillar Yellow" and the "Power Edge" trade dress, as well as corporate and product identity used herein, are trademarks of Caterpillar and may not be used without permission.



Navarro County
Monday, August 31, 2015
2015 Monthly Financial Report

15-85

General Fund:	Budget	Current Month	YTD
Revenues			
Property Taxes	\$14,017,650.00	\$194,056.70	\$14,044,958.63
Other	6,038,153.10	384,875.49	5,030,236.00
Total Revenues	20,055,803.10	578,932.19	19,075,194.63
Expenditures			
Commissioner's Court	90,542.00	7,566.25	77,468.47
Planning & Development	332,778.00	15,999.79	262,207.10
County Clerk	661,391.00	35,737.38	518,584.09
District Clerk	523,923.00	34,205.33	408,240.97
Veterans' Service	22,025.00	1,676.63	19,710.80
Non Departmental	2,166,886.10	43,359.49	1,602,639.21
Information Systems	163,939.00	14,396.24	137,036.96
HAVA	18,500.00	0.00	0.00
Elections	198,362.00	12,242.01	221,804.60
Courthouse	1,394,784.00	43,438.27	608,194.19
Extension	226,726.00	17,330.83	191,920.58
Historical Commission	7,000.00	2,565.98	3,524.75
County Judge	282,889.00	22,611.69	265,236.53
County Court-at-Law	776,207.00	35,808.64	511,893.20
District Court	576,815.00	30,057.23	496,735.08
JP Pct 1	204,638.00	14,738.75	185,716.41
JP Pct 2	201,664.00	14,668.24	178,634.67
JP Pct 3	197,236.00	16,111.11	178,305.02
JP Pct 4	203,429.00	14,976.03	184,621.17
District Attorney	960,161.00	65,888.76	830,429.58
Law Library	8,927.00	118.23	4,888.13
County Auditor	489,665.00	33,230.14	413,587.10
County Treasurer	174,493.00	11,334.90	149,312.03
Tax Assessor/Collector	546,870.00	41,493.88	489,377.19
County Jail	5,755,568.00	380,516.14	4,445,875.90
Constable Pct 1	43,591.00	2,895.41	33,235.51
Constable Pct 2	45,157.00	3,389.35	38,730.36
Constable Pct 3	44,533.00	3,427.03	38,301.33
Constable Pct 4	41,552.00	2,878.76	34,434.28
County Sheriff	3,559,852.00	246,959.58	3,024,618.97
Sheriff Communications	960,981.00	64,296.09	816,025.78
Highway Patrol	97,847.00	7,438.76	89,826.08
License & Weights	3,400.00	140.00	1,587.11
Emergency Management	67,125.00	7,749.66	47,180.13
CSCD	8,878.00	749.18	8,197.87
Juvenile	108,937.00	12,718.08	88,331.45
Indigent Health Care	500,000.00	0.00	500,000.00
Total Expenses	21,667,271.10	1,262,713.84	17,106,412.60
General Net	(1,611,468.00)	(683,781.65)	1,968,782.03

1586

Navarro County
Monday, August 31, 2015
2015 Monthly Financial Report

	Budget	Current Month	YTD
Flood Control:			
Revenues			
Property Taxes	263,179.00	3,520.68	259,298.42
Other	5,000.00	410.56	5,604.39
Total Revenues	268,179.00	3,931.24	264,902.81
Expenditures			
Flood Control Net	(31,821.00)	456.24	213,681.06
Debt Service:			
Revenues			
Property Taxes	571,729.00	7,906.17	572,212.65
Other	165,700.00	23.24	165,846.46
Total Revenues	737,429.00	7,929.41	738,059.11
Expenditures			
Debt Service Net	(103,346.00)	(130,820.59)	(101,049.22)
Road & Bridge Pct. 1:			
Revenues			
Property Taxes	766,989.00	10,483.60	761,251.69
State of TX	34,500.00	0.00	25,596.59
Vehicle Registration	215,000.00	9,302.50	188,802.50
Fines & Forfeitures	145,000.00	0.00	74,449.41
Other	2,000.00	48.95	1,388.26
Total Revenues	1,163,489.00	19,835.05	1,051,488.45
Expenditures			
Personnel	497,673.00	36,363.41	435,812.26
Supplies	535,000.00	51,588.36	438,960.25
Other Services & Charges	165,440.00	7,117.02	103,681.06
Capital Outlay	182,365.00	11,415.77	170,135.16
Total Expenses	1,380,478.00	106,484.56	1,148,588.73
Road & Bridge Pct. 1 Net	(216,989.00)	(86,649.51)	(97,100.28)
Road & Bridge Pct. 2:			
Revenues			
Property Taxes	766,989.00	10,483.59	761,251.66
State of TX	34,500.00	0.00	25,596.57
Vehicle Registration	215,000.00	9,302.50	188,802.50
Fines & Forfeitures	145,000.00	0.00	74,449.39
Other	2,000.00	154.18	11,989.26
Total Revenues	1,163,489.00	19,940.27	1,062,089.38
Expenditures			
Personnel	531,784.00	42,375.92	483,755.43
Supplies	534,517.36	24,241.83	308,459.46
Other Services & Charges	222,000.00	13,208.88	153,619.02
Capital Outlay	110,823.64	6,695.09	104,128.63
Total Expenses	1,399,125.00	86,521.72	1,049,962.54
Road & Bridge Pct. 2 Net	(235,636.00)	(66,581.45)	12,126.84

Navarro County
Monday, August 31, 2015
2015 Monthly Financial Report

1587

	Budget	Current Month	YTD
Road & Bridge Pct. 3:			
Revenues			
Property Taxes	766,989.00	10,483.60	761,251.69
State of TX	34,500.00	0.00	25,596.57
Vehicle Registration	215,000.00	9,302.50	188,802.50
Fines & Forfeitures	145,000.00	0.00	74,449.39
Other	12,478.91	130.62	12,462.92
Total Revenues	1,173,967.91	19,916.72	1,062,563.07
Expenditures			
Personnel	565,929.00	38,295.38	490,831.87
Supplies	392,078.91	34,115.30	215,844.23
Other Services & Charges	208,200.00	5,500.62	104,773.46
Capital Outlay	60,557.00	2,760.57	58,046.63
Total Expenses	1,226,764.91	80,671.87	869,496.19
Road & Bridge Pct. 3 Net	(52,797.00)	(60,755.15)	193,066.88
Road & Bridge Pct. 4:			
Revenues			
Property Taxes	766,989.00	10,483.60	761,251.71
State of TX	34,500.00	0.00	25,596.57
Vehicle Registration	215,000.00	9,302.50	188,802.50
Fines & Forfeitures	145,000.00	0.00	74,449.36
Other	2,500.00	542.44	5,339.70
Total Revenues	1,163,989.00	20,328.54	1,055,439.84
Expenditures			
Personnel	539,094.00	36,059.59	392,135.34
Supplies	570,000.00	88,077.44	549,121.60
Other Services & Charges	188,200.00	10,051.84	93,142.66
Capital Outlay	108,465.00	4,060.97	52,676.03
Total Expenses	1,405,759.00	138,249.84	1,087,075.63
Road & Bridge Pct. 4 Net	(241,770.00)	(117,921.30)	(31,635.79)
Capital Projects:			
Revenues			
State of TX	0.00	0.00	824,322.12
Other	0.00	544.21	30,465.42
Total Revenues	0.00	544.21	854,787.54
Expenditures			
Supplies	0.00	0.00	46,045.85
Other Services & Charges	351,500.00	43,216.74	652,117.05
Capital Outlay	35,000.00	181.20	5,879,812.10
Total Expenses	386,500.00	43,397.94	6,577,975.00
Capital Projects Net	(386,500.00)	(42,853.73)	(5,723,187.46)

**Navarro County
Combined Indebtedness
For the Fiscal Year Ending 9/30/2015**

Description	2014 General Obligation Bond		2014 General Refunding Bond		2014 General NCSO Dispatch		2014 General Mgrader, Truck		2014 General Cat Motor - 10 Motorgrader		2014 General JD Tractor/Mower		2014 General Motor - 2013 Motorgrader		2014 General Cat Motor - 2009 Motorgrader		2014 General Mack Trucks, 2012 John Deere		2014 General Trail King		2014 General 10 JD Backhoe Tractors & Mws		Total		
	Citibank	Citibank	Government Capital	Prosperity Bank	Weich State Bank	Caterpillar Financial Svcs.	John Deere Financial Corp.	Prosperity Bank	Weich State Bank	Prosperity Bank	Weich State Bank	Weich State Bank	Weich State Bank	Weich State Bank	Weich State Bank	Weich State Bank	Weich State Bank	Weich State Bank	Weich State Bank	Weich State Bank	Weich State Bank	Weich State Bank		Prosperity Bank	
Beginning Balance	530,000.00	7,500,000.00	16,953.00	208,663.28	120,138.23	40,139.73	1,614.19	0.00	138,398.45	116,068.57	32,500.00	12,186.29	43,105.00	8,028.30	186,983.13	8,954,778.17	0.00								
October:																									
Payments				3,157.99	2,057.30	3,033.28	804.92	2,991.09	3,124.74	2,664.69	1,728.41	1,594.70	1,594.70	1,594.70	3,594.78	24,751.90									
Ending Balance	530,000.00	7,500,000.00	16,953.00	205,505.29	118,080.93	37,106.45	809.27	0.00	135,407.36	112,943.93	29,835.31	10,457.88	43,105.00	6,433.60	183,388.35	8,930,026.27									
November:																									
Payments				3,165.86	2,053.10	3,042.13	814.12	0.00	3,007.84	3,123.28	2,672.55	1,732.56	1,600.19	1,600.19	3,603.73	24,815.36									
Ending Balance	530,000.00	7,500,000.00	16,953.00	202,339.43	116,027.83	34,064.32	0.00	0.00	132,399.52	109,820.55	27,162.76	8,725.32	43,105.00	4,833.41	179,784.62	8,952,115.76									
December:																									
Payments				3,080.37	2,066.48	3,050.99	0.00	0.00	3,010.22	3,138.96	2,682.46	1,736.72	43,105.00	1,605.69	3,612.71	3,984.60									
Ending Balance	530,000.00	7,500,000.00	16,953.00	199,259.06	113,961.35	31,013.33	0.00	0.00	129,389.30	106,681.59	24,480.30	6,988.60	43,105.00	3,227.72	176,171.91	8,981,231.16									
January:																									
Payments				3,088.03	2,067.98	3,059.90	0.00	0.00	3,016.95	3,142.57	2,690.17	1,740.87	43,105.00	1,611.21	3,621.72	24,038.80									
Ending Balance	530,000.00	7,500,000.00	16,953.00	196,171.03	111,893.37	27,953.43	0.00	0.00	126,372.35	103,539.02	21,790.13	5,247.73	43,105.00	1,616.51	172,550.19	8,957,192.36									
February:																									
Payments				3,095.73	2,072.07	3,068.82	0.00	131,806.86	3,023.70	3,149.83	2,697.91	1,745.05	43,105.00	1,616.51	3,630.74	554,100.36									
Ending Balance	530,000.00	7,500,000.00	16,953.00	193,075.30	109,821.90	24,884.61	0.00	131,806.86	123,348.65	100,389.19	19,092.22	3,502.68	43,105.00	(0.00)	168,919.45	8,434,899.86									
March:																									
Payments				3,103.44	2,076.77	3,077.77	0.00	2,051.24	3,030.45	3,157.10	2,705.66	1,749.24	43,105.00	1,611.21	3,621.72	24,038.80									
Ending Balance	530,000.00	7,500,000.00	16,953.00	189,971.86	107,745.13	21,806.64	0.00	129,755.82	120,318.20	97,232.09	16,386.56	1,753.44	29,073.70	(0.00)	165,279.66	8,396,276.10									
April:																									
Payments				3,111.17	2,081.48	3,086.75	0.00	2,055.96	3,037.23	3,164.39	2,713.44	1,728.52	29,073.70	(0.00)	3,648.86	30,786.83									
Ending Balance	530,000.00	7,500,000.00	16,953.00	186,860.69	105,663.65	18,720.89	0.00	127,699.86	117,280.97	94,067.70	13,673.12	0.00	29,073.70	(0.00)	161,630.80	8,365,464.35									
May:																									
Payments				3,118.93	2,086.20	3,095.75	0.00	2,060.69	3,044.02	3,171.70	2,721.24	0.00	29,073.70	(0.00)	3,657.95	22,956.48									
Ending Balance	530,000.00	7,500,000.00	16,953.00	183,741.78	103,577.45	15,624.34	0.00	125,639.87	114,236.95	90,896.00	10,951.88	0.00	29,073.70	(0.00)	157,972.85	8,342,567.87									
June:																									
Payments				3,126.70	2,090.93	3,104.78	0.00	2,065.42	3,050.82	3,179.02	2,729.06	(24.92)	29,073.70	(0.00)	3,687.06	23,013.79									
Ending Balance	530,000.00	7,500,000.00	16,953.00	180,615.06	101,486.52	12,519.56	0.00	123,573.55	111,186.13	87,716.98	8,222.82	0.00	29,073.70	(0.00)	154,305.79	8,319,484.06									
July:																									
Payments				3,134.49	2,095.67	3,113.84	0.00	2,070.17	3,057.64	3,180.36	2,736.90	0.00	29,073.70	(0.00)	3,676.20	23,071.21									
Ending Balance	530,000.00	7,500,000.00	16,953.00	177,480.57	99,390.85	9,405.72	0.00	121,503.38	108,128.49	84,530.62	5,495.92	0.00	29,073.70	(0.00)	150,629.59	8,296,422.81									
August:																									
Payments				3,142.30	2,100.42	3,122.92	0.00	2,074.93	3,064.48	3,193.72	2,744.77	0.00	29,073.70	(0.00)	3,685.36	23,128.90									
Ending Balance	530,000.00	7,500,000.00	16,953.00	174,338.27	97,290.43	6,282.80	0.00	119,428.45	105,064.01	81,336.90	2,741.15	0.00	29,073.70	(0.00)	146,944.23	8,273,283.91									
September:																									
Payments				3,150.13	2,105.18	3,132.03	0.00	2,079.70	3,071.33	3,201.09	2,741.15	0.00	29,073.70	(0.00)	3,694.54	23,175.15									
Ending Balance	530,000.00	7,500,000.00	16,953.00	171,188.14	95,185.25	3,150.77	0.00	117,348.75	101,992.68	78,135.81	0.00	0.00	29,073.70	(0.00)	143,249.69	8,250,118.70									

09/30/2015 O/S Debt by Fund Pct. 1 387,339.85 Pct. 2 186,400.81 Pct. 3 31,814.85 Pct. 4 146,944.23 8,273,283.91

36

1588

Corsicana-Navarro County Public Health District

Request for Funding for Fiscal Year 2016

The Corsicana-Navarro County Public Health District (Health Department) depends on the continued financial support provided by the Navarro County to be able to meet the demand for services that are not funded through any other sources. The funding the Health Department receives from the county will be especially critical to maintaining the level of services currently provided. We respectfully request funding for fiscal year 2016 in the amount of \$48,000.00.

Services provided by Health Department staff (not funded or fee-for-service).

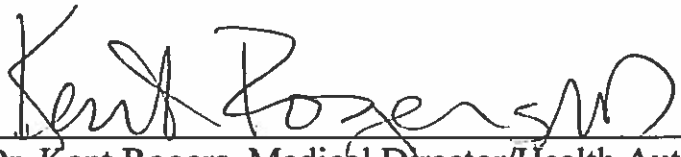
- Pre-exposure and post-exposure rabies vaccine administered
- Health education provided by Director of Nursing to groups in the community and in-service presentations
- Communicable disease surveillance and outbreak treatment
- Testing, treatment, and counseling for STD's (A fee is requested, but service is not denied for inability to pay.)
- Chronic disease counseling
- Suture and staple removal
- Assist local residents with foreign travel immunization requirements
- Investigate environmental and public health nuisance complaints
- Referrals to Food Pantry and Texas Department of Assistive & Rehabilitative Services
- Food establishments – plan and structural review, compliance inspections, complaint and food-borne illness investigation, enforcement. Fees are charged for health cards and permits.
- Public and semi-public swimming pools – plan and structural review, compliance inspection and enforcement, complaint investigation
- Tatoo and body piercing studios – plan and structural review, compliance inspections, complaint investigation and enforcement
- Plan and plat review – review and make recommendations regarding plans for new development and construction

Other Local Health Department Activities

- Participate in planning and emergency situations with the local emergency planning committee of the Navarro County Office of Emergency Management
- Provider of mass prophylaxis distribution in the event of pandemic flu – During the H1N1 (Swine) flu outbreak CNCPHD served as a key partner with OEM, city and county officials and other groups to provide the citizens of Corsicana and Navarro County with the latest recommendations and guidance from the Centers for Disease Control
- Key provider of flu vaccine
- Provider of immunizations for children and adults
- Works with the local animal control officers and others in the community when citizens are at risk for rabies. When rabies vaccine is indicated, arrangements are made by the Director of Nursing at the Health Department to obtain the vaccine. Once the vaccine is received, it is administered at the Health Department free of charge.
- The Navarro County Health Services Foundation continues to fund a family nurse practitioner to work three days a week at the Health Department to provide adult health care to those eligible for the Primary Health Care program.
- One pediatric nurse practitioner provides child health care at the Health Department Child Health Clinic.
- Women, Infants and Children (WIC) nutrition education program is provided at the Health Department.

The purpose and mission of Corsicana-Navarro County Public Health District (Health Department) is to provide a scope of comprehensive services in a quality and efficient manner to meet the needs of Navarro County.

Thank you for your consideration of this request.


Dr. Kent Rogers, Medical Director/Health Authority